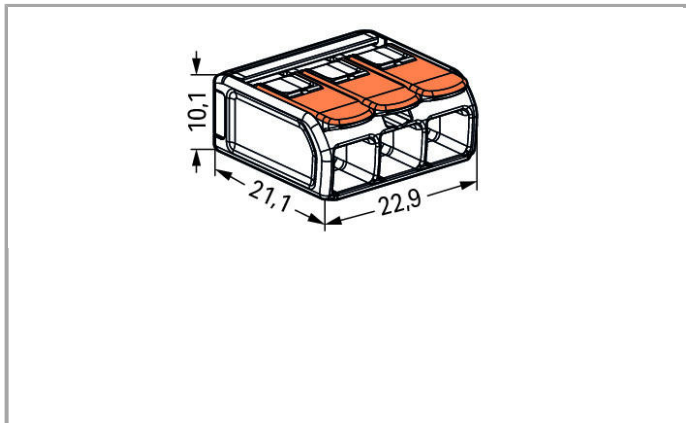


Data sheet | Item number: 221-613

COMPACT Splicing Connectors; 3-conductor connector; with operating levers; Max.ambient operating temp. 85 °C



www.wago.com/221-613



Data
Electrical data



Ratings per IEC/EN 60664-1

| | |
|--------------------------------|--|
| Rated voltage (II / 2) | 450 V |
| Rated impulse voltage (II / 2) | 4 kV |
| Rated current | 41 A |
| Legend (ratings) | (II / 2) \triangleq Overvoltage category II / Pollution degree 2 |

Connection data

| | |
|-----------------------------------|---|
| Connection technology | CAGE CLAMP® |
| Actuation type | Lever |
| Connectable conductor materials | Copper |
| Nominal cross section | 6 mm ² |
| Solid conductor | 0.5 ... 6 mm ² / 20 ... 10 AWG |
| Stranded conductor | 0.5 ... 6 mm ² / 20 ... 10 AWG |
| Fine-stranded conductor | 0.5 ... 6 mm ² / 20 ... 10 AWG |
| Strip length | 12 ... 14 mm / 0.47 ... 0.55 Inch |
| Total number of connection points | 3 |
| Total number of potentials | 1 |
| Type of wiring | Side-entry wiring |

Geometrical Data

| | |
|--------|----------------------|
| Width | 22.9 mm / 0.902 inch |
| Height | 10.1 mm / 0.398 inch |
| Depth | 21.1 mm / 0.831 inch |

Material Data

| | |
|-----------------------------|-------------|
| Color | transparent |
| Flammability class per UL94 | V2 |
| Weight | 4.014 g |

Environmental Requirements

| | |
|---|-------|
| Surrounding air (operating) temperature | 85 °C |
| T-Marking per EN 60998 | T85 |

Commercial data



| | |
|--------------------|---------------|
| Packaging type | BOX |
| Country of origin | DE |
| GTIN | 4055143715416 |
| Customs Tariff No. | 85369010000 |

Approvals / Certificates

Country specific Approvals

| Logo | Approval | Certificate name |
|--|--|------------------|
|  | KEMA/KEUR DEKRA Certification B.V. | 71-101850 |

Ship Approvals



| Logo | Approval | Certificate name |
|--|---|------------------|
|  | DNV GL Det Norske Veritas, Germanischer Lloyd | TAE000015T |
|  | LR Lloyds Register | 04/20013 (E6) |

UL-Approvals

| Logo | Approval | Certificate name |
|--|---|------------------|
|  | UL Underwriters Laboratories Inc. | E201573 |

Compatible products

Mounting adapter

| | | |
|--|--|--|
|  | Item no.: 221-510 Mounting carrier; 221 Series - 6 mm ² ; for DIN-35 rail mounting/screw mounting | www.wago.com/221-510 |
|  | Item no.: 222-505 Strain relief plate; for mounting carrier; 221 or 222 Series, can be snapped | www.wago.com/222-505 |

Downloads

smartDATA

CAD data

| 3D Download 221-613 | URL | Download |
|---------------------|-----|----------|
| | | |



Subject to changes.

WAGO Kontakttechnik GmbH & Co. KG
Hansastr. 27
32423 Minden
Phone: +49571 887-0 | Fax: +49571 887-169
Email: info.de@wago.com | Web: www.wago.com

Do you have any questions about our products?
We are always happy to take your call at +49 (571) 887-44222.