

## Data sheet | Item number: 232-274/039-000

THT female header; 0.6 x 1.0 mm solder pin; angled; Locking lever; Pin spacing 5.08 mm; 14-pole

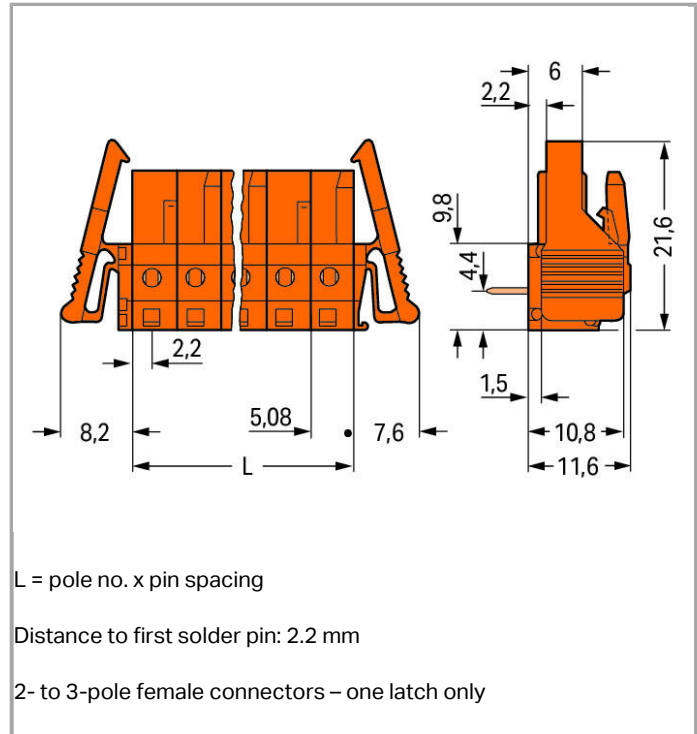
[www.wago.com/232-274/039-000](http://www.wago.com/232-274/039-000)



RoHS  Compliant

BOMcheck.net

Color: ■



### Item description

- Horizontal or vertical PCB mounting via straight or angled solder pins
- For board-to-board and board-to-wire connections
- Touch-proof PCB outputs
- Easy-to-identify PCB inputs and outputs
- With coding fingers

Other variants can be requested via the WAGO sales department or, if necessary, configured at <https://configurator.wago.com/>: 3.8 mm pin projection for male headers with straight solder pins, Gold-plated or partially gold-plated contact surfaces, Other pole numbers

### Data

#### Electrical data

#### Ratings per IEC/EN 60664-1

|                                 |       |
|---------------------------------|-------|
| Rated voltage (III / 3)         | 320 V |
| Rated impulse voltage (III / 3) | 4 kV  |
| Rated voltage (III / 2)         | 320 V |
| Rated impulse voltage (III / 2) | 4 kV  |



|                                |  |
|--------------------------------|--|
| Rated voltage (II / 2)         | 630 V  |
| Rated impulse voltage (II / 2) | 4 kV   |
| Rated current                  | 12 A   |
| Legend (ratings)               | (III / 2) $\triangleq$ Overvoltage category III / Pollution degree 2 |

### Approvals per UL 1059

|                                |       |
|--------------------------------|-------|
| Rated voltage UL (Use Group B) | 300 V |
| Rated current UL (Use Group B) | 15 A  |
| Rated voltage UL (Use Group D) | 300 V |
| Rated current UL (Use Group D) | 10 A  |

### Approvals per CSA

|                                 |       |
|---------------------------------|-------|
| Rated voltage CSA (Use Group B) | 300 V |
| Rated current CSA (Use Group B) | 15 A  |
| Rated voltage CSA (Use Group D) | 300 V |
| Rated current CSA (Use Group D) | 10 A  |

### Connection data

|                            |    |
|----------------------------|----|
| No. of poles               | 14 |
| Total number of potentials | 14 |
| Number of levels           | 1  |

### Geometrical Data

|                                   |                          |
|-----------------------------------|--------------------------|
| Pin spacing                       | 5.08 mm (0.2 inch)       |
| Width                             | 86.92 mm / 3.422 inch    |
| Height                            | 16.6 mm / 0.654 inch     |
| Height from the surface           | 11.6 mm / 0.457 inch     |
| Depth                             | 18.25 mm / 0.719 inch    |
| Solder pin length                 | 5 mm                     |
| Solder pin dimensions             | 0.6 x 1 mm               |
| Drilled hole diameter (tolerance) | 1.3 <sup>(+0.1)</sup> mm |

### Plug connection

|                                    |                         |
|------------------------------------|-------------------------|
| Contact type (pluggable connector) | Female connector/socket |
| Connector connection type          | for PCBs                |
| Mismating protection               | No                      |
| Mating direction to the PCB        | 0°                      |
| Locking of plug-in connection      | locking lever           |

## PCB contact

|                                     |   |
|-------------------------------------|---|
| PCB contact                         | THT                                       |
| Solder pin arrangement              | over the entire female connector, in line |
| Number of solder pins per potential | 1   |

## Material Data

|                             |                      |
|-----------------------------|----------------------|
| Color                       | orange               |
| Material group              | I                    |
| Insulating material         | Polyamide 66 (PA 66) |
| Flammability class per UL94 | V0                   |
| Contact material            | Copper alloy         |
| Contact plating             | tin-plated           |
| Fire load                   | 0.225 MJ             |
| Weight                      | 13 g                 |

## Environmental Requirements



|                         |                |
|-------------------------|----------------|
| Limit temperature range | -60 ... +85 °C |
|-------------------------|----------------|

## Commercial data


|                    |                        |
|--------------------|------------------------|
| Country of origin  | DE                     |
| GTIN               | 4050821209843          |
| Customs Tariff No. | 85366990990            |
| Product Group      | 3 (Multi Conn. System) |

## Approvals / Certificates

### Ship Approvals

| Logo   | Approval  | Certificate name |
|--|---|------------------|
|  | <b>ABS</b><br>American Bureau of Shipping               | 14-HG1241537-PDA |
|  | <b>DNV GL</b><br>Det Norske Veritas, Germanischer Lloyd | TAE 000016Z      |

### UL-Approvals

| Logo   | Approval                                   | Certificate name |
|--|--|------------------|
|  | <b>UL</b><br>UL International Germany GmbH | E45171           |

## Compatible products

check



Item no.: 231-661

Test plugs for female connectors; for 5 mm and 5.08 mm pin spacing

[www.wago.com/231-661](http://www.wago.com/231-661)

## Downloads

### smartDATA

#### PCB libraries

|  |                      |               |          |
|--|----------------------|---------------|----------|
| TARGET Library for WAGO Pluggable PCB Connectors (Multi-Connection System)<br>Compatible with TARGET PCB Design Software Version 17.x        | 1.1.0<br>Oct 6, 2014 | ZIP<br>7.4 MB | Download |
| DesignSpark Library for WAGO Pluggable PCB Connectors (MULTI CONNECTION SYSTEM)<br>Compatible with DesignSpark PCB Version 4.x or higher     | 2.1<br>Oct 6, 2014   | ZIP<br>6.1 MB | Download |
| EAGLE Library for WAGO Pluggable PCB Connectors (MULTI CONNECTION SYSTEM)<br>Compatible with EAGLE PCB Design Software Version 6.x or higher | 2.1<br>Nov 17, 2017  | ZIP<br>6.2 MB | Download |

#### CAD data

|                             |  |     |          |
|-----------------------------|--|-----|----------|
| 3D Download 232-274/039-000 |  | URL | Download |
|-----------------------------|--|-----|----------|

Subject to changes.