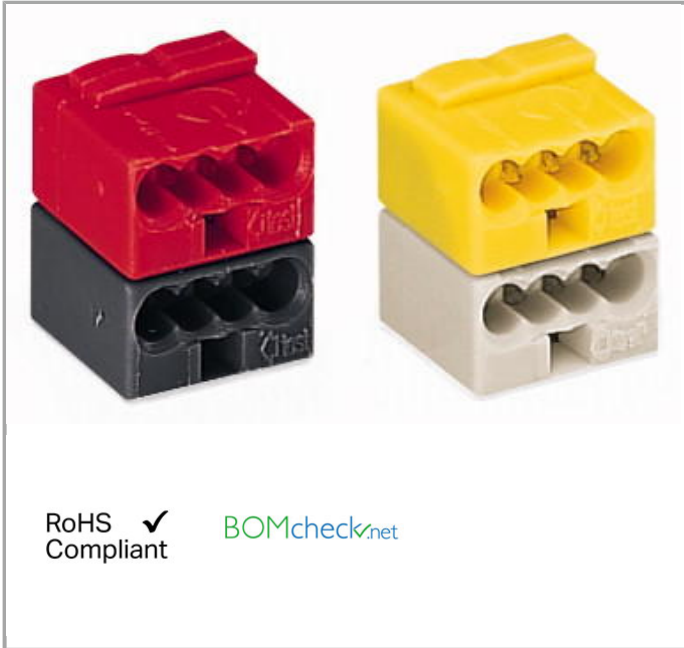


Data sheet | Item number: 243-212

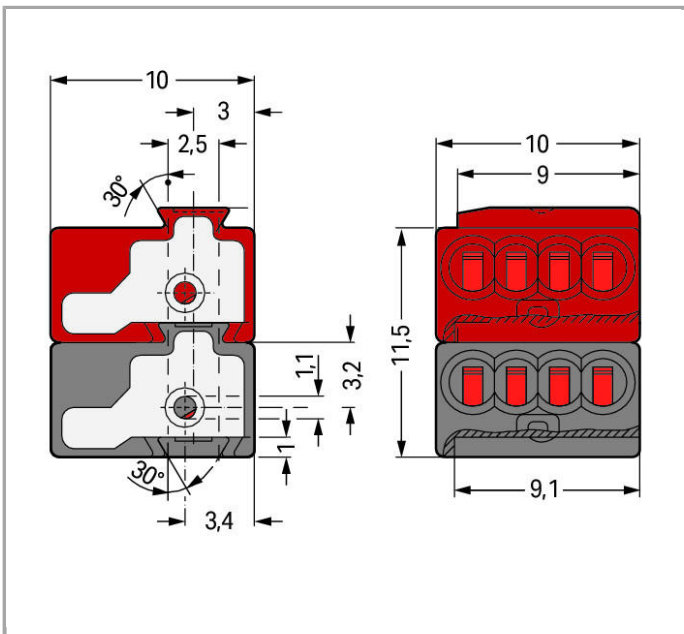
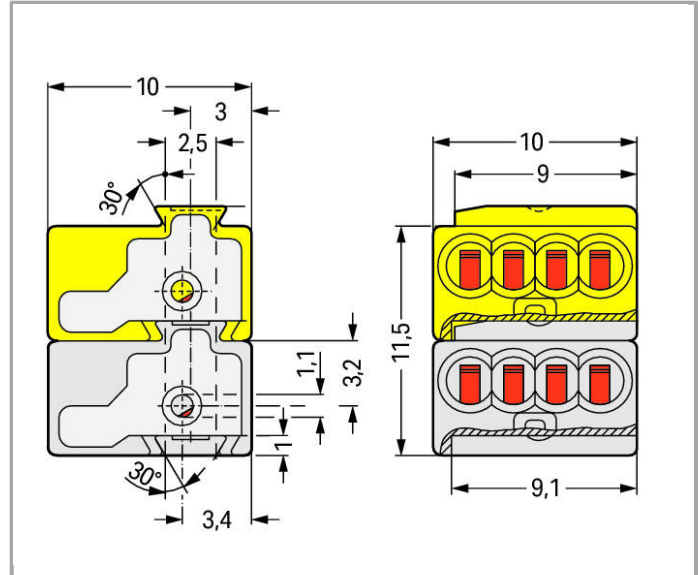
4-conductor modular PCB connector; for individual solder pins; for KNX; 0.8 mm Ø; Pin spacing 5.75 mm; 2-pole



www.wago.com/243-212



RoHS Compliant [BOMcheck.net](https://www.bomcheck.net)



Item description

- Compact, 4-conductor KNX/EIB connectors with PUSH WIRE® connection
- Push-in termination of solid conductors
- Four-conductor entries allow devices to be replaced without disrupting the KNX/EIB bus connection



Data

Electrical data

Ratings per IEC/EN 60664-1

Rated voltage (III / 3)	250 V
Rated impulse voltage (III / 3)	4 kV
Rated voltage (III / 2)	100 V
Rated impulse voltage (III / 2)	4 kV
Rated voltage (II / 2)	630 V
Rated impulse voltage (II / 2)	4 kV
Rated current	6 A
Legend (ratings)	(III / 2) $\hat{=}$ Overvoltage category III / Pollution degree 2

Connection data

Connection technology	PUSH WIRE®
Conductor diameter	0.6 ... 0.8 mm
Conductor diameter information	When using different conductor diameters
Strip length	5 ... 6 mm / 0.2 ... 0.24 Inch
Conductor diameter 2	1 mm
Conductor diameter information 2	When using identical conductor diameters
No. of poles	2
Total number of connection points	8
Total number of potentials	2
Number of connection types	1
Number of levels	1

Geometrical Data

Width	10 mm / 0.394 inch
Height	11.5 mm / 0.453 inch
Depth	10 mm / 0.394 inch

Plug connection

Contact type (pluggable connector)	Female connector/socket
Connector connection type	for conductors

Material Data

Color	light gray/yellow
Material group	I
Insulating material	Polyamide 66 (PA 66)

Flammability class per UL94	V0
Clamping spring material	Chrome nickel spring steel (CrNi)
Contact material	Electrolytic copper (Ecu)
Contact plating	tin-plated
Fire load	0.024 MJ
Weight	1.517 g

Environmental Requirements

Limit temperature range	-60 ... +105 °C
-------------------------	-----------------

Commercial data

Country of origin	DE
GTIN	4044918441407
Customs Tariff No.	85369010000

Compatible products

Marking accessories



Item no.: 210-332/575-103

Marking strips; as a DIN A4 sheet; MARKED; 1-12 (160x); Height of marker strip: 3 mm; Strip length 182 mm; Horizontal marking; Self-adhesive

www.wago.com/210-332/575-103

Downloads

smartDATA

CAD data

3D Download 243-212	URL	Download
---------------------	-----	----------

Subject to changes.

WAGO Kontakttechnik GmbH & Co. KG
 Hansastr. 27
 32423 Minden
 Phone: +49571 887-0 | Fax: +49571 887-169
 Email: info.de@wago.com | Web: www.wago.com

Do you have any questions about our products?
 We are always happy to take your call at +49 (571) 887-44222.