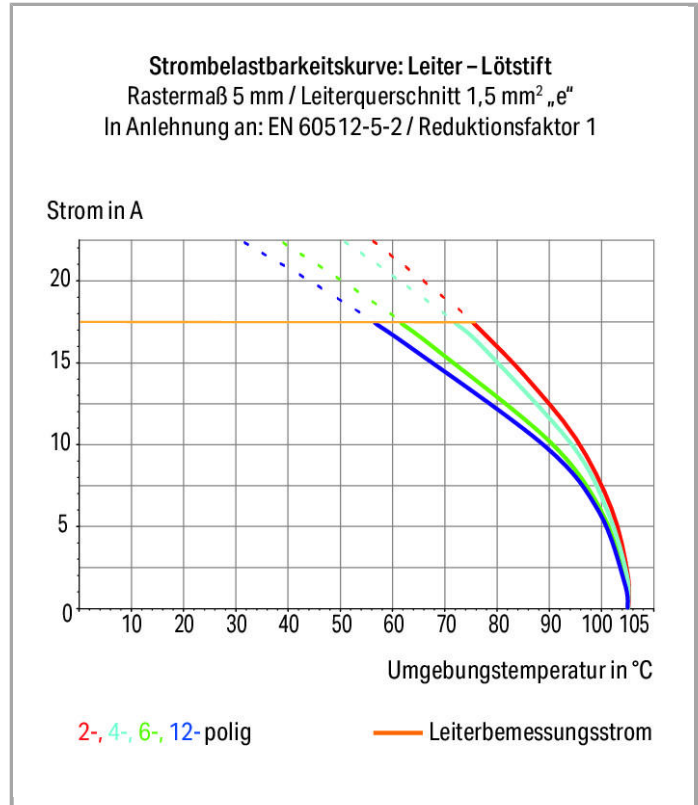


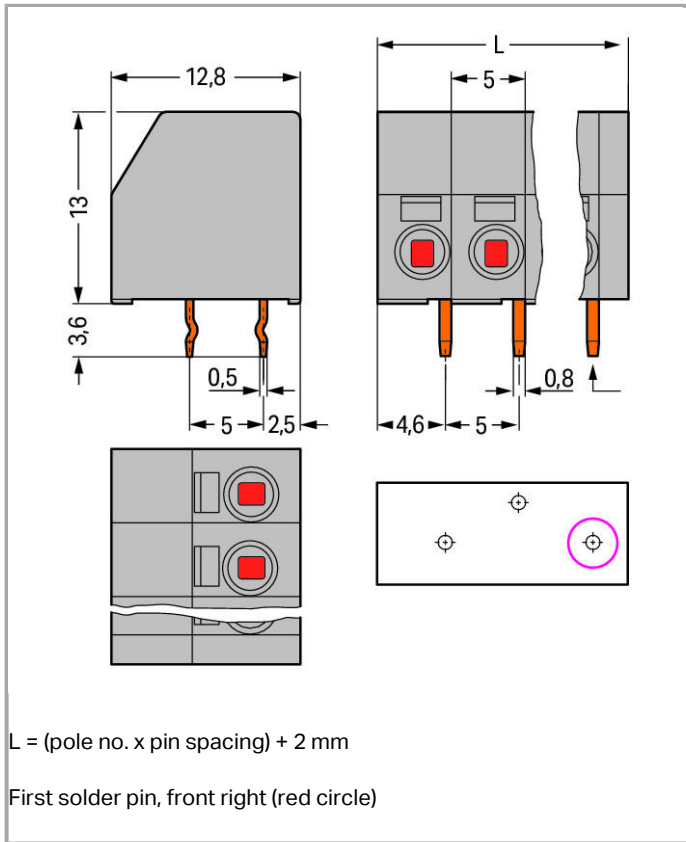
Data sheet | Item number: 253-110

2-conductor PCB terminal block; 1.5 mm<sup>2</sup>; Pin spacing 5 mm; 10-pole; PUSH WIRE®



[www.wago.com/253-110](http://www.wago.com/253-110)





### Item description

- PCB terminal strips with PUSH WIRE® connection and screwdriver actuation
- Double-conductor connection provides top-entry (vertical) and/or side-entry (horizontal) wiring
- Push-in termination of solid conductors
- Double entries for power supply and potential distribution

Other variants can be requested via the WAGO sales department or, if necessary, configured at <https://configurator.wago.com/>: Direct marking, Mixed-color terminal strips, Other colors, Other pole numbers

### Data

#### Electrical data

#### Ratings per IEC/EN 60664-1

|                                 |       |
|---------------------------------|-------|
| Rated voltage (III / 3)         | 320 V |
| Rated impulse voltage (III / 3) | 4 kV  |
| Rated voltage (III / 2)         | 320 V |
| Rated impulse voltage (III / 2) | 4 kV  |
| Rated voltage (II / 2)          | 630 V |
| Rated impulse voltage (II / 2)  | 4 kV  |



|                  |   |
|------------------|---|
| Rated current    | 17.5 A  |
| Legend (ratings) | (III / 2) $\hat{=}$ Overvoltage category III / Pollution degree 2 |

### Approvals per UL 1059

|                                |       |
|--------------------------------|-------|
| Rated voltage UL (Use Group B) | 300 V |
| Rated current UL (Use Group B) | 8 A   |
| Rated voltage UL (Use Group D) | 300 V |
| Rated current UL (Use Group D) | 8 A   |

### Approvals per CSA

|                                 |       |
|---------------------------------|-------|
| Rated voltage CSA (Use Group B) | 300 V |
| Rated current CSA (Use Group B) | 8 A   |
| Rated voltage CSA (Use Group D) | 300 V |
| Rated current CSA (Use Group D) | 8 A   |

### Connection data

|   |   |
|---|---|
| Connection type (1)                           | PUSH WIRE® connection                                     |
| Connection technology                         | PUSH WIRE®  |
| Number of connection points (connection type) | 1   |
| Actuation type                                | Operating tool  |
| Solid conductor                               | 0.5 ... 1.5 mm <sup>2</sup> / 20 ... 16 AWG               |
| Strip length                                  | 8.5 ... 9.5 mm / 0.33 ... 0.37 Inch                       |
| Note (strip length)                           | 7 ... 8 mm / 0.28 ... 0.31 in. (for wiring on both sides) |
| Conductor entry angle to the PCB              | 0°  |
| Connection type (2)                           | PUSH WIRE® connection                                     |
| Connection technology 2                       | PUSH WIRE®  |
| Number of connection points                   | 1   |
| Solid conductor (2)                           | 0.5 ... 1.5 mm <sup>2</sup> / 20 ... 16 AWG               |
| Strip length (2)                              | 8.5 ... 9.5 mm / 0.33 ... 0.37 Inch                       |
| Note (strip length) 2                         | 7 ... 8 mm / 0.28 ... 0.31 in. (for wiring on both sides) |
| Conductor entry angle to the PCB 2            | 90°   |
| No. of poles                                  | 10  |
| Total number of connection points             | 20  |
| Total number of potentials                    | 10  |
| Number of connection types                    | 2   |
| Number of levels                              | 2   |

### Geometrical Data

|             |                   |
|-------------|-------------------|
| Pin spacing | 5 mm (0.197 inch) |
|-------------|-------------------|



|                                   |                          |
|-----------------------------------|--------------------------|
| Width                             | 52 mm / 2.047 inch       |
| Height                            | 16.6 mm / 0.654 inch     |
| Height from the surface           | 13 mm / 0.512 inch       |
| Depth                             | 12.8 mm / 0.504 inch     |
| Solder pin length                 | 3.6 mm                   |
| Solder pin dimensions             | 0.5 x 0.8 mm             |
| Drilled hole diameter (tolerance) | 1.1 <sup>(+0.1)</sup> mm |

### PCB contact

|                                     |   |
|-------------------------------------|---|
| PCB contact                         | THT                                       |
| Solder pin arrangement              | over the entire terminal strip, staggered |
| Number of solder pins per potential | 1   |

### Material Data

|                             |                                   |
|-----------------------------|-----------------------------------|
| Color                       | gray                              |
| Material group              | I                                 |
| Insulating material         | Polyamide 66 (PA 66)              |
| Flammability class per UL94 | V0                                |
| Clamping spring material    | Chrome nickel spring steel (CrNi) |
| Contact material            | Electrolytic copper (Ecu)         |
| Contact plating             | tin-plated                        |
| Fire load                   | 0.18 MJ                           |
| Weight                      | 8.734 g                           |

### Environmental Requirements

|                         |                 |
|-------------------------|-----------------|
| Limit temperature range | -60 ... +105 °C |
|-------------------------|-----------------|

### Commercial data

|                    |                     |
|--------------------|---------------------|
| Country of origin  | CN                  |
| GTIN               | 4044918689588       |
| Customs Tariff No. | 85369010000         |
| Product Group      | 4 (Printed Circuit) |

### Approvals / Certificates

#### Country specific Approvals

| Logo | Approval                        | Certificate name |
|------|---------------------------------|------------------|
|      | CCA<br>DEKRA Certification B.V. | NTR NL-7122      |




|  |  |                  |
|--|--|------------------|
|    | CCA<br>DEKRA Certification B.V.              | NTR NL 6580      |
|    | CCA<br>DEKRA Certification B.V.              | 2126302.02       |
|    | ENEC<br>DEKRA Certification B.V.             | 2160584.27       |
|    | VDE<br>VDE Prüf- und Zertifizierungsinstitut | 40028668         |
| <b>UL-Approvals</b>  |  |                  |
| Logo   | Approval                                     | Certificate name |
|   | cURus<br>Underwriters Laboratories Inc.      | E45172 sec. 6    |
|  | UL<br>UL International Germany GmbH          | E45171           |

## Compatible products

### Marking accessories

|  |   |  |
|--|---|--|
|  | <b>Item no.: 210-332/500-202</b><br>Marking strips; as a DIN A4 sheet; MARKED; 1-16 (160x); Height of marker strip: 3 mm; Strip length 182 mm; Horizontal marking; Self-adhesive  | <a href="http://www.wago.com/210-332/500-202">www.wago.com/210-332/500-202</a> |
|  | <b>Item no.: 210-332/500-204</b><br>Marking strips; as a DIN A4 sheet; MARKED; 17-32 (160x); Height of marker strip: 3 mm; Strip length 182 mm; Horizontal marking; Self-adhesive | <a href="http://www.wago.com/210-332/500-204">www.wago.com/210-332/500-204</a> |
|  | <b>Item no.: 210-332/500-205</b><br>Marking strips; as a DIN A4 sheet; MARKED; 1-32 (80x); Height of marker strip: 3 mm; Strip length 182 mm; Horizontal marking; Self-adhesive   | <a href="http://www.wago.com/210-332/500-205">www.wago.com/210-332/500-205</a> |
|  | <b>Item no.: 210-332/500-206</b><br>Marking strips; as a DIN A4 sheet; MARKED; 33-48 (160x); Height of marker strip: 3 mm; Strip length 182 mm; Horizontal marking; Self-adhesive | <a href="http://www.wago.com/210-332/500-206">www.wago.com/210-332/500-206</a> |
|  | <b>Item no.: 210-833</b><br>Marking strips; on reel; 6 mm wide; plain; Self-adhesive  | <a href="http://www.wago.com/210-833">www.wago.com/210-833</a>                 |

tools

|  |  |  |
|--|--|--|
|  | <b>Item no.: 210-647</b><br>Operating tool with partially insulated shaft; Blade (2.5 x 0.4) mm; short         | <a href="http://www.wago.com/210-647">www.wago.com/210-647</a> |
|  | <b>Item no.: 210-648</b><br>Operating tool with partially insulated shaft; Blade (2.5 x 0.4) mm; short; angled | <a href="http://www.wago.com/210-648">www.wago.com/210-648</a> |
|  | <b>Item no.: 210-719</b><br>Operating tool with partially insulated shaft; Type 1, blade (2.5 x 0.4) mm        | <a href="http://www.wago.com/210-719">www.wago.com/210-719</a> |

Downloads

smartDATA

CAD data

|                     |     |          |
|---------------------|-----|----------|
| 3D Download 253-110 | URL | Download |
|---------------------|-----|----------|

PCB libraries

|   |                      |                |          |
|---|----------------------|----------------|----------|
| DesignSpark Library for WAGO PCB Terminal Blocks<br>Compatible with DesignSpark PCB Version 4.x or higher     | 2.1<br>Oct 6, 2014   | ZIP<br>22.5 MB | Download |
| TARGET Library for WAGO PCB Terminal Blocks<br>Compatible with TARGET PCB Design Software Version 17.x        | 1.1.0<br>Oct 6, 2014 | ZIP<br>27.1 MB | Download |
| EAGLE Library for WAGO PCB Terminal Blocks<br>Compatible with EAGLE PCB Design Software Version 6.x or higher | 2.1<br>Nov 17, 2017  | ZIP<br>23.9 MB | Download |

Subject to changes.

WAGO Kontakttechnik GmbH & Co. KG  
Hansastr. 27  
32423 Minden  
Phone: +49571 887-0 | Fax: +49571 887-169  
Email: [info.de@wago.com](mailto:info.de@wago.com) | Web: [www.wago.com](http://www.wago.com)

Do you have any questions about our products?  
We are always happy to take your call at +49 (571) 887-44222.