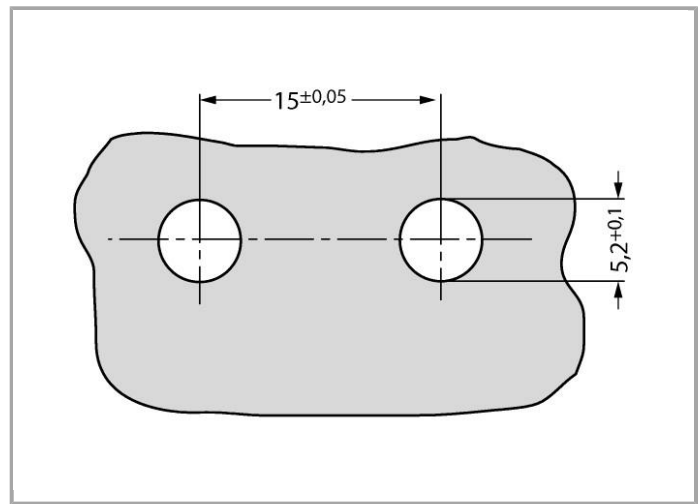
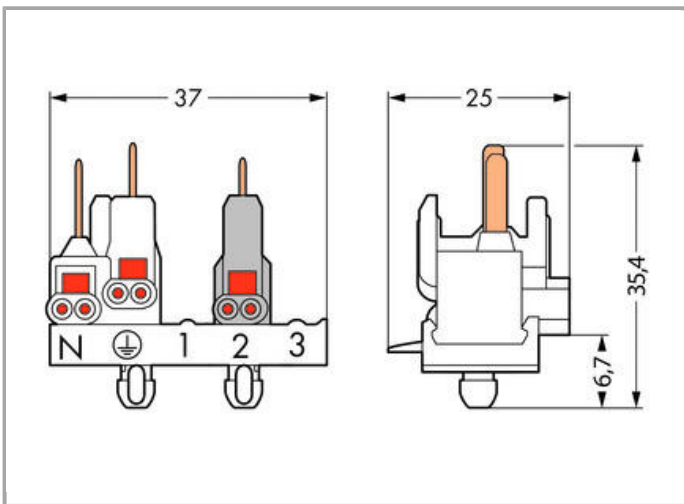
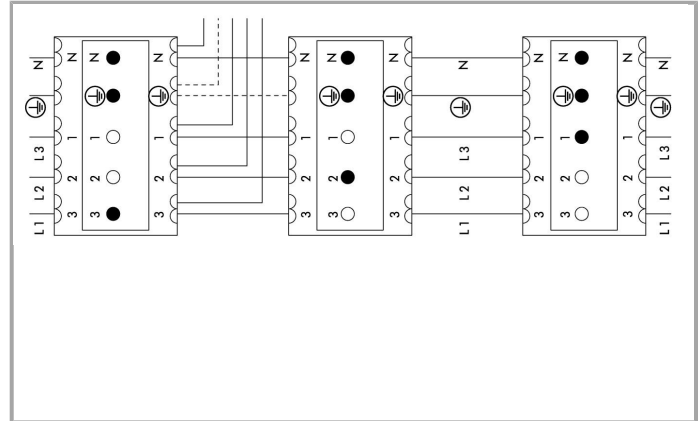
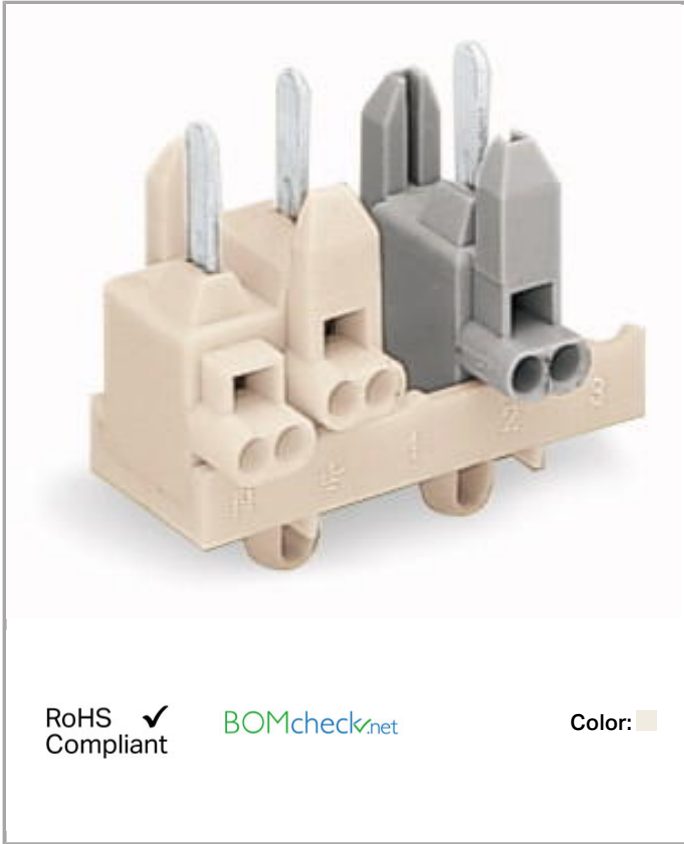


Data sheet | Item number: 277-123

Male connector; with snap-in mounting foot; 3-pole; with molded pole marking; adjustable

[www.wago.com/277-123](http://www.wago.com/277-123)



Item description

- Flexible connection system with PUSH WIRE<sup>®</sup> connection
- Phase selection



## Data

### Electrical data

#### Ratings per IEC/EN 60664-1

Rated voltage (III / 2)	400 V
Rated impulse voltage (III / 2)	4 kV
Rated current	10 A
Legend (ratings)	(III / 2) $\hat{=}$ Overvoltage category III / Pollution degree 2

### Connection data

Connection technology	PUSH WIRE <sup>®</sup>
Strip length	10 ... 11 mm / 0.39 ... 0.43 Inch
No. of poles	3
Number of connection types	1

### Geometrical Data

Width	25 mm / 0.984 inch
Height	35.4 mm / 1.394 inch
Depth	37 mm / 1.457 inch

### Material Data

Color	white
Material group	I
Insulating material	Polyamide 66 (PA 66)
Flammability class per UL94	V0
Clamping spring material	Chrome nickel spring steel (CrNi)
Contact material	Electrolytic copper (Ecu)
Contact plating	tin-plated
Fire load	0.139 MJ
Weight	8.5 g

### Environmental Requirements

Temperature stability	105 °C
-----------------------	--------

### Commercial data


Packaging type	bag
Country of origin	DE
GTIN	4044918507370

Customs Tariff No.


8536901000

## Approvals / Certificates

### Country specific Approvals

Logo	Approval	Certificate name
	<b>CSA</b> DEKRA Certification B.V.	70048855

### UL-Approvals

Logo	Approval	Certificate name
	<b>UR</b> Underwriters Laboratories Inc.	E45172

## Downloads

### smartDATA

### CAD data

3D Download 277-123	<a href="#">URL</a>	<a href="#">Download</a>
---------------------	---------------------	--------------------------

Subject to changes.