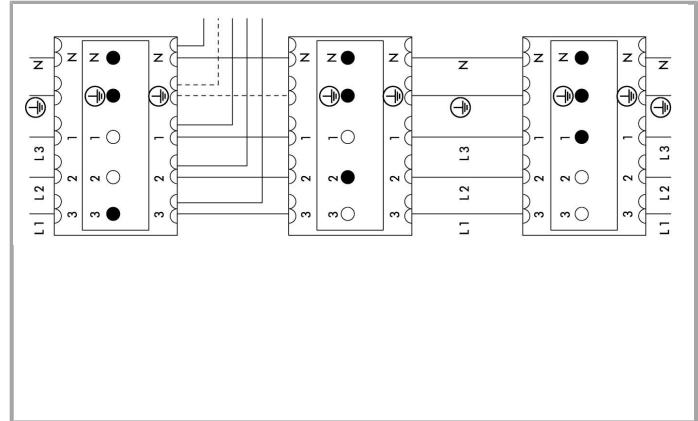
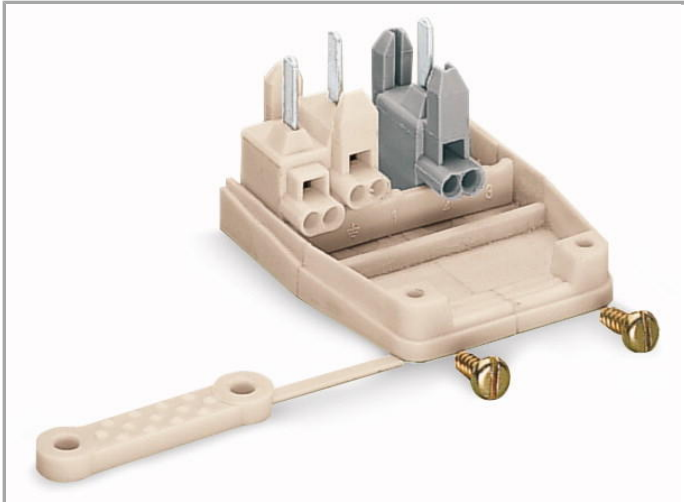


Data sheet | Item number: 277-127

Male connector; with strain relief; 4-pole; with molded pole marking; adjustable



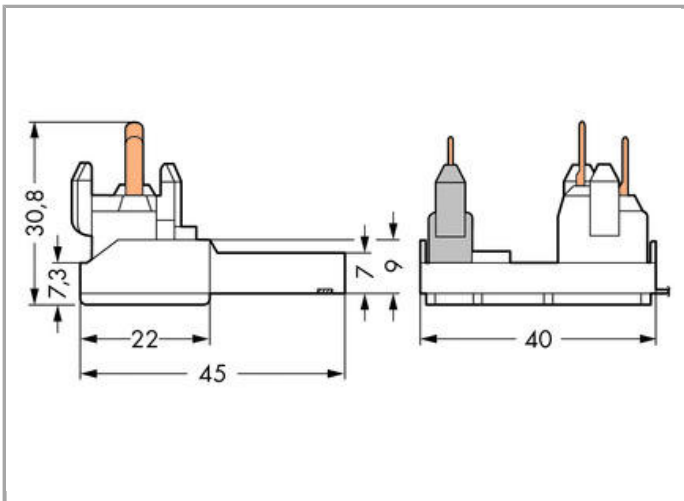
www.wago.com/277-127



RoHS Compliant

[BOMcheck.net](https://www.bomcheck.net)

Color:



Item description

- Flexible connection system with PUSH WIRE[®] connection
- Phase selection

Data

Electrical data

Ratings per IEC/EN 60664-1

Rated voltage (III / 2)	400 V
Rated impulse voltage (III / 2)	4 kV
Rated current	10 A
Legend (ratings)	(III / 2) ≙ Overvoltage category III / Pollution degree 2

Connection data

Connection technology	PUSH WIRE®
Strip length	10 ... 11 mm / 0.39 ... 0.43 Inch
No. of poles	4
Number of connection types	1

Geometrical Data

Width	45 mm / 1.772 inch
Height	30.8 mm / 1.213 inch
Depth	40 mm / 1.575 inch

Material Data

Color	white
Material group	I
Insulating material	Polyamide 66 (PA 66)
Flammability class per UL94	V0
Clamping spring material	Chrome nickel spring steel (CrNi)
Contact material	Electrolytic copper (Ecu)
Contact plating	tin-plated
Weight	14.53 g

Environmental Requirements


Temperature stability	105 °C
-----------------------	--------

Commercial data

Packaging type	bag
Country of origin	DE
GTIN	4045454356262
Customs Tariff No.	85369010000

Approvals / Certificates

Country specific Approvals

Logo	Approval	Certificate name
	CSA DEKRA Certification B.V.	70048855

Subject to changes.