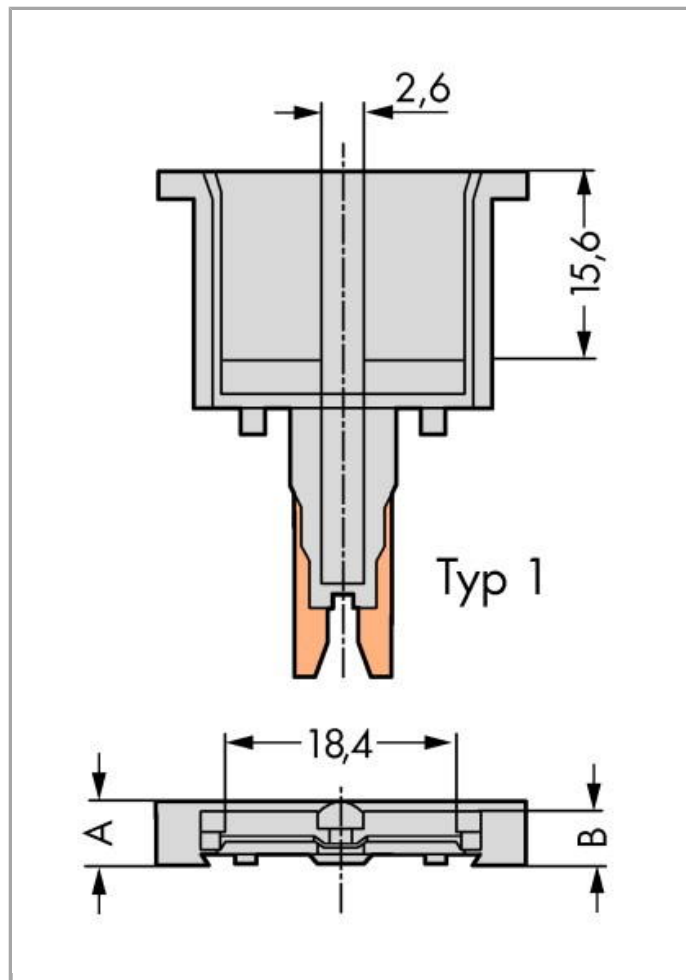


Data sheet | Item number: 280-801

Empty component plug housing; 5 mm wide; 2-pole; Type 1

[www.wago.com/280-801](http://www.wago.com/280-801)



Typ	1	2	3	4
A	5	10	10	10
B	3,2	8,2	8,2	8,2

### Item description

Empty component plug housing, type 1

### Note:

Inside dimensions of plug W/H/D 3.2/15/15 mm (0.126/0.591/0.591 in)

### Data

#### Electrical data

Rated continuous current	6 A
--------------------------	-----

#### Safety and protection:

Rated voltage	250 V
---------------	-------

Rated impulse voltage	4 kV
-----------------------	------

Pollution degree	3
------------------	---

#### Connection data

No. of poles	2
--------------	---

Type of wiring	Front-entry wiring
----------------	--------------------

#### Geometrical Data

Width	5 mm / 0.197 inch
-------	-------------------

#### Mechanical data

Housing design	Pluggable module for terminal blocks
----------------	--------------------------------------

Type of mounting	Pluggable module for carrier terminal blocks
------------------	--

#### Material Data

Color	gray
-------	------



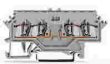


Fire load	0.051 MJ
Weight	2.3 g

### Commercial data

Country of origin	DE
GTIN	4044918270403
Customs Tariff No.	85369010000
Product Group	1 (Rail Mounted Terminal Blocks)

### Compatible products

#### clamps

	<b>Item no.: 280-610</b> 3-conductor carrier terminal block; for DIN-rail 35 x 15 and 35 x 7.5; 2.5 mm <sup>2</sup> ; CAGE CLAMP®	<a href="http://www.wago.com/280-610">www.wago.com/280-610</a>
	<b>Item no.: 280-616</b> 2-conductor carrier terminal block; for DIN-rail 35 x 15 and 35 x 7.5; 2.5 mm <sup>2</sup> ; CAGE CLAMP®	<a href="http://www.wago.com/280-616">www.wago.com/280-616</a>
	<b>Item no.: 280-686</b> 4-conductor carrier terminal block; for DIN-rail 35 x 15 and 35 x 7.5; 2.5 mm <sup>2</sup> ; CAGE CLAMP®	<a href="http://www.wago.com/280-686">www.wago.com/280-686</a>
	<b>Item no.: 280-816</b> 4-conductor carrier terminal block; for DIN-rail 35 x 15 and 35 x 7.5; 2.5 mm <sup>2</sup> ; CAGE CLAMP®	<a href="http://www.wago.com/280-816">www.wago.com/280-816</a>
	<b>Item no.: 280-916</b> 2-conductor carrier terminal block; for DIN-rail 35 x 15 and 35 x 7.5; 2.5 mm <sup>2</sup> ; CAGE CLAMP®	<a href="http://www.wago.com/280-916">www.wago.com/280-916</a>

### Downloads

#### Documentation

#### Additional Information

Disposal; Electrical and electronic equipment, Packaging	Oct 15, 2018	Download
		265.8 kB

### smartDATA

#### CAD data

3D Download 280-801	URL	Download
---------------------	-----	----------



Subject to changes.

---

WAGO Kontakttechnik GmbH & Co. KG  
Hansastr. 27  
32423 Minden  
Phone: +49571 887-0 | Fax: +49571 887-169  
Email: [info.de@wago.com](mailto:info.de@wago.com) | Web: [www.wago.com](http://www.wago.com)

Do you have any questions about our products?  
We are always happy to take your call at +49 (571) 887-44222.