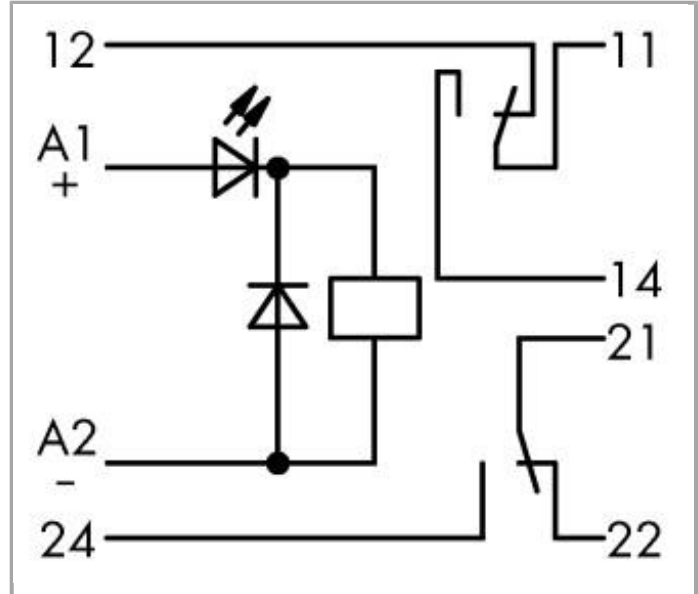


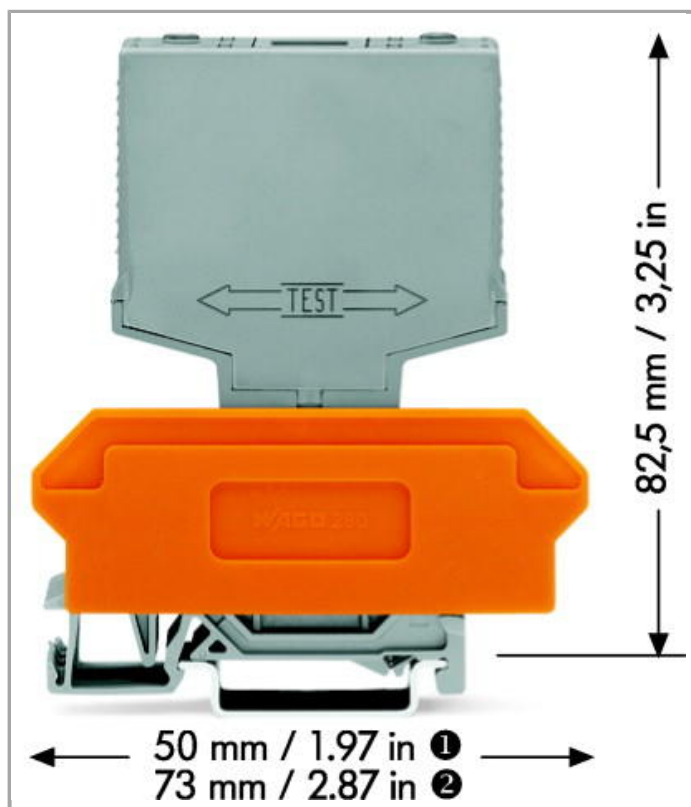
Data sheet | Item number: 286-312/004-000

Relay module; Nominal input voltage: 24 VDC; 2 changeover contacts;  
Limiting continuous current: 7 A; Path; Red status indicator; Module width: 20  
mm



[www.wago.com/286-312/004-000](http://www.wago.com/286-312/004-000)





## Data

### Technical Data

#### Control circuit

Nominal input voltage $U_N$	24 VDC
Input voltage range	-30 ... +25 %
Nominal input current at $U_N$	21.8 mA

#### Load circuit:

Number of changeover/switchover contacts	2
Contact material (relay)	AgNi 0.15
Limiting continuous current	7 A
Max. switching voltage	250 VAC
Max. switching power (resistive)	1750 VAAC
Pull-in time (typ.)	18 ms
Drop-out time (typ.)	3 ms
Bounce time (typ)	2 ms

#### Signaling

Status indication	LED red
-------------------	---------

### Safety and protection:

Rated voltage	250 V
Rated impulse voltage	4 kV
Pollution degree	2
Dielectric strength, control/load circuit (AC, 1 min)	2 kV <sub>rms</sub>
Dielectric strength, control/load circuit (AC, 1 min)	2 kV <sub>rms</sub>
Dielectric strength open contact (AC, 1 min)	1 kV <sub>rms</sub>
Dielectric strength open contact (AC, 1 min)	1 kV <sub>rms</sub>
Dielectric strength, load/load circuit (AC, 1 min)	1.5 kV <sub>rms</sub>
Dielectric strength, load/load circuit (AC, 1 min)	1.5 kV <sub>rms</sub>
Degree of protection	IP20

### Geometrical Data

Width	20 mm / 0.787 inch
Height from upper-edge of DIN-35 rail	82.5 mm / 3.248 inch
Depth	52 mm / 1.654 inch

### Mechanical data

Type of mounting	Pluggable module for carrier terminal blocks
------------------	--

### Material Data

Color	gray
Fire load	0.612 MJ
Weight	39.8 g

### Environmental Requirements

Surrounding air (operating) temperature at U <sub>N</sub>	-25 ... 70 °C
Pollution degree	2

### Standards and specifications

Standards/specifications	EN 60664-1
--------------------------	------------

### Commercial data

Country of origin	DE
GTIN	4055143105002
Customs Tariff No.	85364900990

Product Group

6 (Interface Electronics)

## Compatible products

### General accessories

**Item no.: 280-628**Terminal block for pluggable modules; 16-pole; with 4-conductor terminal blocks; with orange separator; for DIN-rail 35 x 15 and 35 x 7.5; 2.5 mm<sup>2</sup>[www.wago.com/280-628](http://www.wago.com/280-628)**Item no.: 280-638**Terminal block for pluggable modules; 8-pole; with 2-conductor terminal blocks; with orange separator; for DIN-rail 35 x 15 and 35 x 7.5; 2.5 mm<sup>2</sup>[www.wago.com/280-638](http://www.wago.com/280-638)**Item no.: 280-764**Terminal block for pluggable modules; 16-pole; with 4-conductor terminal blocks; with marker carrier; with orange separator; for DIN-rail 35 x 15 and 35 x 7.5; 2.5 mm<sup>2</sup>[www.wago.com/280-764](http://www.wago.com/280-764)

### Marking accessories

**Item no.: 209-701**

WSB marking card; as card; not stretchable; plain; snap-on type

[www.wago.com/209-701](http://www.wago.com/209-701)**Item no.: 209-701/000-002**

WSB marking card; as card; not stretchable; plain; snap-on type

[www.wago.com/209-701/000-002](http://www.wago.com/209-701/000-002)**Item no.: 209-701/000-005**

WSB marking card; as card; not stretchable; plain; snap-on type

[www.wago.com/209-701/000-005](http://www.wago.com/209-701/000-005)**Item no.: 209-701/000-006**

WSB marking card; as card; not stretchable; plain; snap-on type

[www.wago.com/209-701/000-006](http://www.wago.com/209-701/000-006)**Item no.: 209-701/000-007**

WSB marking card; as card; not stretchable; plain; snap-on type

[www.wago.com/209-701/000-007](http://www.wago.com/209-701/000-007)**Item no.: 209-701/000-012**

WSB marking card; as card; not stretchable; plain; snap-on type

[www.wago.com/209-701/000-012](http://www.wago.com/209-701/000-012)**Item no.: 209-701/000-017**

WSB marking card; as card; not stretchable; plain; snap-on type

[www.wago.com/209-701/000-017](http://www.wago.com/209-701/000-017)**Item no.: 209-701/000-023**

WSB marking card; as card; not stretchable; plain; snap-on type

[www.wago.com/209-701/000-023](http://www.wago.com/209-701/000-023)**Item no.: 209-701/000-024**

WSB marking card; as card; not stretchable; plain; snap-on type

[www.wago.com/209-701/000-024](http://www.wago.com/209-701/000-024)

## Downloads

### Documentation



**Bid Text**

286-312/004-000 Relaisbaustein	Jan 22, 2016	DOC 27.6 kB	Download
-----------------------------------	--------------	----------------	----------

---

**Additional Information**

Disposal; Electrical and electronic equipment, Packaging	Oct 15, 2018	265.8 kB	Download
--	--------------	----------	----------

---

Subject to changes.