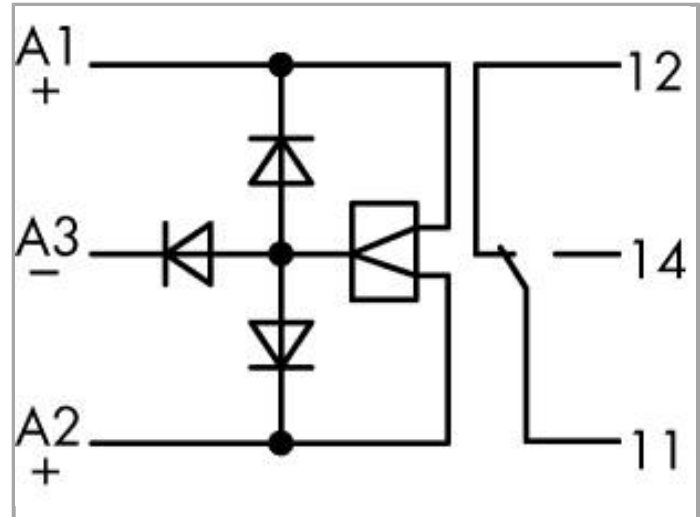


Data sheet | Item number: 286-380

Bistable relay module; Nominal input voltage: 24 VDC; 1 changeover contact;  
Limiting continuous current: 6 A; Red status indicator; Module width: 15 mm



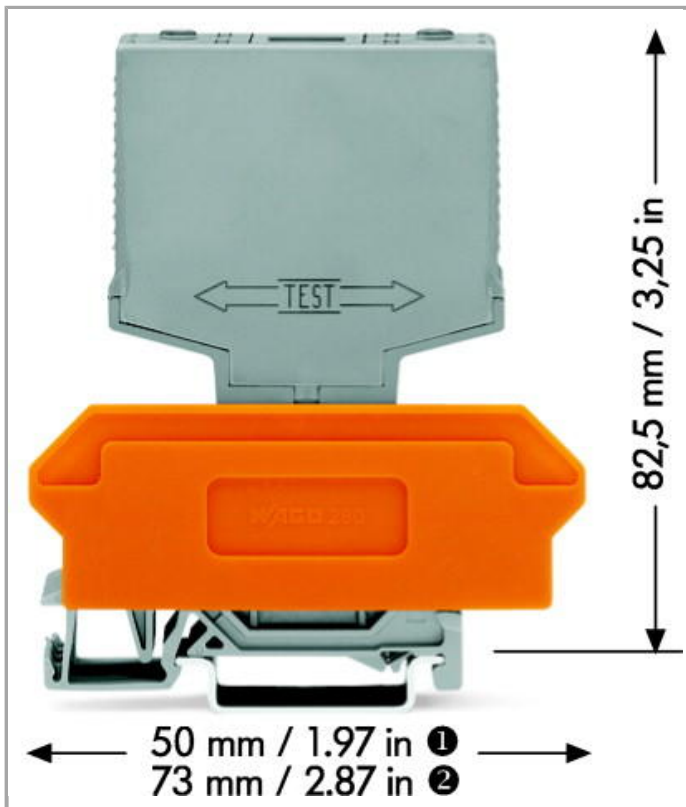
[www.wago.com/286-380](http://www.wago.com/286-380)



RoHS  Compliant

[BOMcheck.net](https://www.bomcheck.net)

Color: ■



## Data

## Technical Data

## Control circuit

Nominal input voltage $U_N$	24 VDC
Nominal input current at $U_N$	41.5 mA

## Load circuit:

Number of changeover/switchover contacts	1
Contact material (relay)	AgNi 0.15
Limiting continuous current	6 A
Max. make current (resistive)	20 A (AC)
Max. switching voltage	250 VAC
Max. switching power (resistive)	1500 VAAC
Pull-in time (typ.)	9 ms
Drop-out time (typ.)	3 ms
Bounce time (typ.)	2 ms
Electrical life (N.O.; resistive load; 23 °C)	100 x 10 <sup>3</sup> switching operations
Mechanical life (N.O.; resistive load; 23 °C)	30 x 10 <sup>6</sup> switching operations

## Signaling

Status indication	LED red
-------------------	---------

## Safety and protection:

Rated voltage	250 V
Rated impulse voltage	4 kV
Pollution degree	2
Dielectric strength, control/load circuit (AC, 1 min)	4 kV <sub>rms</sub>
Dielectric strength, control/load circuit (AC, 1 min)	4 kV <sub>rms</sub>
Degree of protection	IP20

## Geometrical Data

Width	15 mm / 0.591 inch
Height from upper-edge of DIN-35 rail	82.5 mm / 3.248 inch
Depth	52 mm / 1.654 inch

## Mechanical data

Type of mounting	Pluggable module for carrier terminal blocks
------------------	--

## Material Data

Color	gray
Fire load	0.325 MJ
Weight	35 g

## Environmental Requirements

Surrounding air (operating) temperature at U <sub>N</sub>	-25 ... 40 °C
Pollution degree	2

## Standards and specifications

Standards/specifications	EN 60664-1
--------------------------	------------

## Commercial data

Country of origin	DE
GTIN	4045454198008
Customs Tariff No.	85364900990
Product Group	6 (Interface Electronics)

## Compatible products

### General accessories


**Item no.: 280-609**

Terminal block for pluggable modules; 12-pole; with 4-conductor terminal blocks; with orange separator; for DIN-rail 35 x 15 and 35 x 7.5; 2.5 mm<sup>2</sup>

[www.wago.com/280-609](http://www.wago.com/280-609)


**Item no.: 280-619**

Terminal block for pluggable modules; 6-pole; with 2-conductor terminal blocks; with orange separator; for DIN-rail 35 x 15 and 35 x 7.5; 2.5 mm<sup>2</sup>

[www.wago.com/280-619](http://www.wago.com/280-619)


**Item no.: 280-763**

Terminal block for pluggable modules; 12-pole; with 4-conductor terminal blocks; with marker carrier; with orange separator; for DIN-rail 35 x 15 and 35 x 7.5; 2.5 mm<sup>2</sup>

[www.wago.com/280-763](http://www.wago.com/280-763)

### Marking accessories


**Item no.: 209-701**

WSB marking card; as card; not stretchable; plain; snap-on type

[www.wago.com/209-701](http://www.wago.com/209-701)


**Item no.: 209-701/000-002**

WSB marking card; as card; not stretchable; plain; snap-on type

[www.wago.com/209-701/000-002](http://www.wago.com/209-701/000-002)


**Item no.: 209-701/000-005**

WSB marking card; as card; not stretchable; plain; snap-on type

[www.wago.com/209-701/000-005](http://www.wago.com/209-701/000-005)


**Item no.: 209-701/000-006**

WSB marking card; as card; not stretchable; plain; snap-on type

[www.wago.com/209-701/000-006](http://www.wago.com/209-701/000-006)


**Item no.: 209-701/000-007**

WSB marking card; as card; not stretchable; plain; snap-on type

[www.wago.com/209-701/000-007](http://www.wago.com/209-701/000-007)


**Item no.: 209-701/000-012**

WSB marking card; as card; not stretchable; plain; snap-on type

[www.wago.com/209-701/000-012](http://www.wago.com/209-701/000-012)


**Item no.: 209-701/000-017**

WSB marking card; as card; not stretchable; plain; snap-on type

[www.wago.com/209-701/000-017](http://www.wago.com/209-701/000-017)


**Item no.: 209-701/000-023**

WSB marking card; as card; not stretchable; plain; snap-on type

[www.wago.com/209-701/000-023](http://www.wago.com/209-701/000-023)


**Item no.: 209-701/000-024**

WSB marking card; as card; not stretchable; plain; snap-on type

[www.wago.com/209-701/000-024](http://www.wago.com/209-701/000-024)

## Downloads

### Documentation

#### Bid Text

286-380



----- Relaisbaustein	Jan 22, 2016	DOC 28.7 kB	Download
<hr/>			
<b>Additional Information</b>			
Disposal; Electrical and electronic equipment, Packaging	Oct 15, 2018	265.8 kB	Download
<hr/>			

Subject to changes.