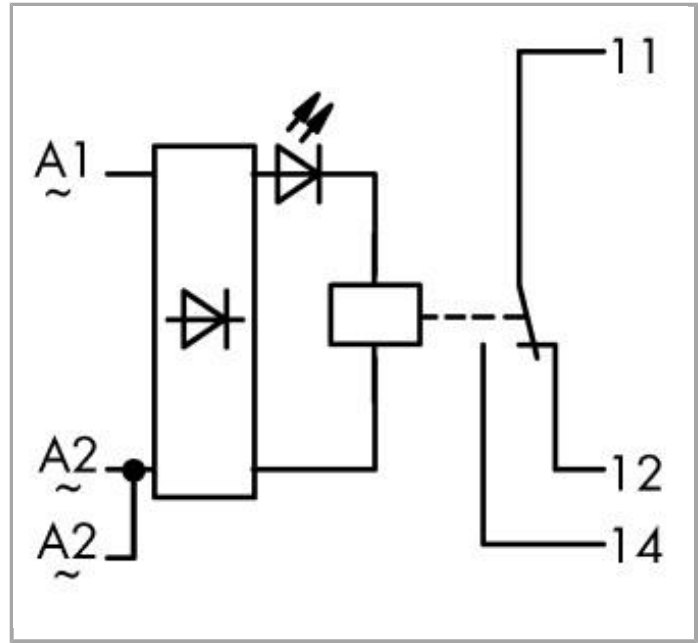


Data sheet | Item number: 286-508

Relay module; Nominal input voltage: 230 VAC; 1 changeover contact;  
Limiting continuous current: 7 A; Red status indicator; Module width: 15 mm



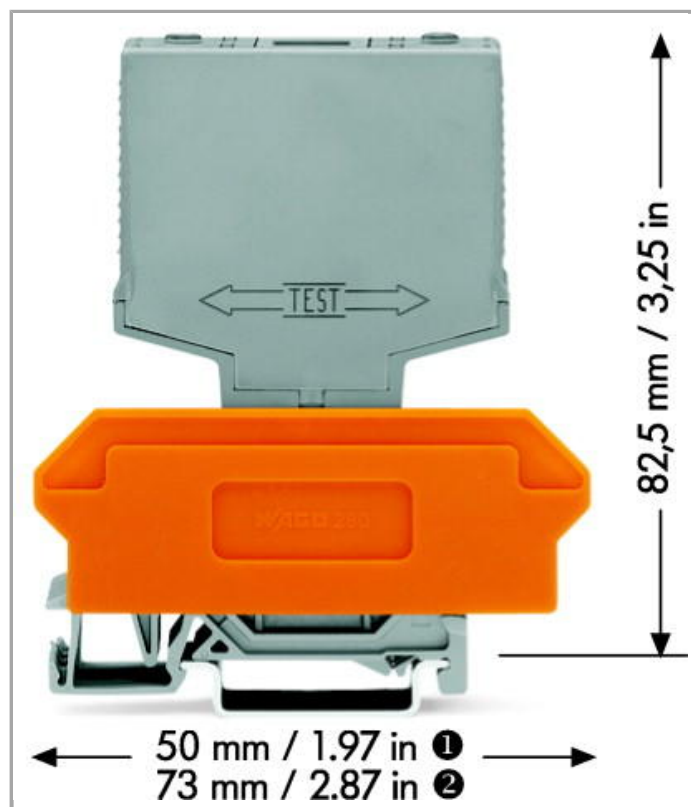
[www.wago.com/286-508](http://www.wago.com/286-508)



RoHS  Compliant

[BOMcheck.net](https://www.bomcheck.net)

Color: ■



## Data

## Technical Data

## Control circuit

Nominal input voltage $U_N$	230 VAC
Nominal input current at $U_N$	4.8 mA

## Load circuit:

Number of changeover/switchover contacts	1
Contact material (relay)	AgNi 0.15
Limiting continuous current	7 A
Max. switching voltage	250 VAC
Max. switching power (resistive)	1750 VAAC
Pull-in time (typ.)	8 ms
Drop-out time (typ.)	6 ms
Bounce time (typ.)	4 ms
Electrical life (N.O.; resistive load; 23 °C)	100 x 10 <sup>3</sup> switching operations
Mechanical life (N.O.; resistive load; 23 °C)	30 x 10 <sup>6</sup> switching operations



## Signaling

Status indication	LED red
-------------------	---------

## Safety and protection:

Rated voltage	250 V
Rated impulse voltage	4 kV
Pollution degree	2
Dielectric strength, control/load circuit (AC, 1 min)	4 kV <sub>rms</sub>
Dielectric strength, control/load circuit (AC, 1 min)	4 kV <sub>rms</sub>
Dielectric strength open contact (AC, 1 min)	1 kV <sub>rms</sub>
Dielectric strength open contact (AC, 1 min)	1 kV <sub>rms</sub>
Degree of protection	IP20

## Geometrical Data

Width	15 mm / 0.591 inch
Height from upper-edge of DIN-35 rail	82.5 mm / 3.248 inch
Depth	52 mm / 1.654 inch

## Mechanical data

Type of mounting	Pluggable module for carrier terminal blocks
------------------	--

## Material Data

Color	gray
Fire load	0.325 MJ
Weight	30.643 g

## Environmental Requirements

Surrounding air (operating) temperature at U <sub>N</sub>	-25 ... 40 °C
Pollution degree	2

## Standards and specifications

Standards/specifications	EN 60664-1
--------------------------	------------

## Commercial data

Country of origin	DE
GTIN	4045454560058

Customs Tariff No.

85364900990

Product Group




6 (Interface Electronics)

## Compatible products

### Marking accessories

	<b>Item no.: 209-701</b> WSB marking card; as card; not stretchable; plain; snap-on type	<a href="http://www.wago.com/209-701">www.wago.com/209-701</a>
	<b>Item no.: 209-701/000-002</b> WSB marking card; as card; not stretchable; plain; snap-on type	<a href="http://www.wago.com/209-701/000-002">www.wago.com/209-701/000-002</a>
	<b>Item no.: 209-701/000-005</b> WSB marking card; as card; not stretchable; plain; snap-on type	<a href="http://www.wago.com/209-701/000-005">www.wago.com/209-701/000-005</a>
	<b>Item no.: 209-701/000-006</b> WSB marking card; as card; not stretchable; plain; snap-on type	<a href="http://www.wago.com/209-701/000-006">www.wago.com/209-701/000-006</a>
	<b>Item no.: 209-701/000-007</b> WSB marking card; as card; not stretchable; plain; snap-on type	<a href="http://www.wago.com/209-701/000-007">www.wago.com/209-701/000-007</a>
	<b>Item no.: 209-701/000-012</b> WSB marking card; as card; not stretchable; plain; snap-on type	<a href="http://www.wago.com/209-701/000-012">www.wago.com/209-701/000-012</a>
	<b>Item no.: 209-701/000-017</b> WSB marking card; as card; not stretchable; plain; snap-on type	<a href="http://www.wago.com/209-701/000-017">www.wago.com/209-701/000-017</a>
	<b>Item no.: 209-701/000-023</b> WSB marking card; as card; not stretchable; plain; snap-on type	<a href="http://www.wago.com/209-701/000-023">www.wago.com/209-701/000-023</a>
	<b>Item no.: 209-701/000-024</b> WSB marking card; as card; not stretchable; plain; snap-on type	<a href="http://www.wago.com/209-701/000-024">www.wago.com/209-701/000-024</a>

### General accessories

	<b>Item no.: 280-609</b> Terminal block for pluggable modules; 12-pole; with 4-conductor terminal blocks; with orange separator; for DIN-rail 35 x 15 and 35 x 7.5; 2.5 mm <sup>2</sup>	<a href="http://www.wago.com/280-609">www.wago.com/280-609</a>
	<b>Item no.: 280-619</b> Terminal block for pluggable modules; 6-pole; with 2-conductor terminal blocks; with orange separator; for DIN-rail 35 x 15 and 35 x 7.5; 2.5 mm <sup>2</sup>	<a href="http://www.wago.com/280-619">www.wago.com/280-619</a>
	<b>Item no.: 280-763</b> Terminal block for pluggable modules; 12-pole; with 4-conductor terminal blocks; with marker carrier; with orange separator; for DIN-rail 35 x 15 and 35 x 7.5; 2.5 mm <sup>2</sup>	<a href="http://www.wago.com/280-763">www.wago.com/280-763</a>



## Downloads

### Documentation

#### Bid Text

286-508 Relaisbaustein	Jan 22, 2016	DOC 26.6 kB	Download
---------------------------	--------------	----------------	----------

#### Additional Information

Disposal; Electrical and electronic equipment, Packaging	Oct 15, 2018	265.8 kB	Download
--	--------------	----------	----------

## smartDATA

### CAD data

3D Download 286-508		URL	Download
---------------------	--	-----	----------

Subject to changes.