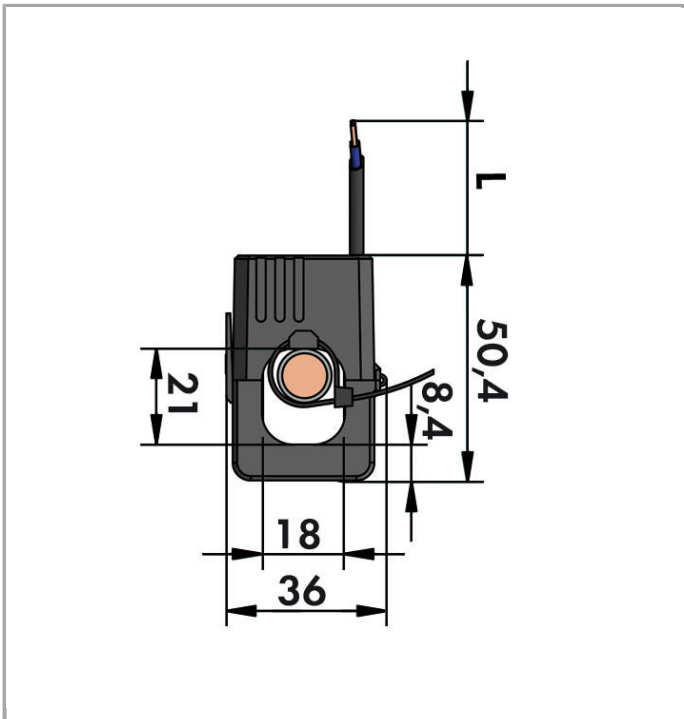
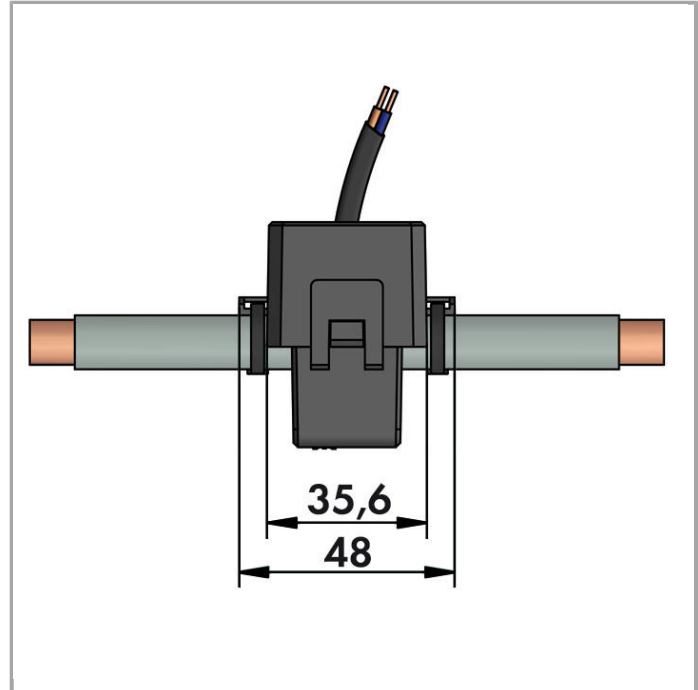


Data sheet | Item number: 855-3001/250-001

Split-core current transformer; Primary rated current: 250 A; Secondary rated current: 1 A; Rated power: 0.2 VA; Accuracy class: 1; Cable length: 3 m



www.wago.com/855-3001/250-001



Item description

**Short description:**

WAGO's compact split-core current transformers are ideal for retrofitting existing systems. They are perfect for applications in which the current path must not be disrupted. The transformer's accuracy permits extremely precise current measurements. The split-core current transformers are capable of supplying the specified rated power at the end of the secondary cable. All transformers are supplied with color-coded cables. Two UV-resistant cable ties are also included for secure and easy mounting.

Features:

- Current ratios from 60 A up to 1000 A (primary side) and 1 A or 5 A (secondary side)
- No measuring cable interruption
- Ideal for use in very confined spaces
- Rapid mounting
- For use around insulated cables up to 42 mm diameter
- Compact and hinged
- Color-coded connecting cables up to 5 m

Data**Technical Data****Input – current transformer**

| | |
|--|-------------------------------|
| Primary rated current | 250 A |
| Rated continuous thermal current I_{cth} | 100 % |
| Rated short-time thermal current I_{th} | $60 \times I_N / 1 \text{ s}$ |
| Rated surge current I_{dyn} | $2.5 \times I_{th}$ |
| Rated frequency | 50 ... 60 Hz |

Output – Current transformer

| | |
|-------------------------------------|--------------------------|
| Secondary rated current | 1 A |
| Rated power S_r | 0.2 VA |
| Highest voltage for equipment U_m | $720 V_{rms} \text{ AC}$ |

Measurement error

| | |
|----------------|---|
| Accuracy class | 1 |
|----------------|---|

Safety and protection:

| | |
|----------------------|---------------------|
| Test voltage | 3 kV AC; 50Hz; 1min |
| Degree of protection | IP20 |

Connection data

| | |
|---------------------------------------|---|
| Feedthrough for measurement conductor | Ø 18 mm |
| Type of cable | 2 x 0.5 mm ² , fine-stranded |
| Color coding | Brown = S1; blue = S2 |

Geometrical Data

| | |
|--------------|-----|
| Cable length | 3 m |
|--------------|-----|

Mechanical data

| | |
|------------------|--------------------------------|
| Type of mounting | Split-core current transformer |
|------------------|--------------------------------|

Material Data

| | |
|-----------------------------|-------|
| Insulation class | E |
| Flammability class per UL94 | V2 |
| Housing material | PA 66 |
| Weight | 237 g |

Environmental Requirements

| | |
|---|------------------------------|
| Surrounding air (operating) temperature | -10 ... 55 °C |
| Surrounding air (storage) temperature | -20 ... 70 °C |
| Relative humidity | 5 ... 85 % (no condensation) |
| Max. operating altitude | 2000 m |

Standards and specifications

| | |
|--------------------------|------------------------|
| Conformity marking | CE |
| Standards/specifications | EN 61869-1; EN 61869-2 |

Commercial data

| | |
|--------------------|---------------|
| Country of origin | NL |
| GTIN | 4050821880684 |
| Customs Tariff No. | 85043180888 |

Compatible products

General accessories







Item no.: 2007-8873
Compact terminal block; for current and voltage transformers

www.wago.com/2007-8873



Item no.: 2007-8874
Compact terminal block; for current and voltage transformers

www.wago.com/2007-8874

| | | |
|--|---|--|
|  | Item no.: 2007-8875 Compact terminal block; for current transformer circuit | www.wago.com/2007-8875 |
|  | Item no.: 2007-8876 Compact terminal block; for 3-phase current transformer circuit | www.wago.com/2007-8876 |
|  | Item no.: 2007-8877 Compact terminal block; for current transformer circuit | www.wago.com/2007-8877 |
|  | Item no.: 857-550 Current signal conditioner; Current input signal; Current and voltage output signal; Digital output; Configuration via software; Supply voltage: 24 VDC; 6 mm module width | www.wago.com/857-550 |

Downloads

Documentation

Additional Information

| | | | |
|--|--------------|----------|----------|
| Disposal; Electrical and electronic equipment, Packaging | Oct 15, 2018 | 265.8 kB | Download |
|--|--------------|----------|----------|

Engineering-Software

Software for Interface-Products

| | | | |
|--|------------------------|----------------|----------|
| Interface Configuration Software FULL The full setup, in addition to the WAGO Interface Configuration Software, includes the installation for the Microsoft .NET Framework. | 1.5.4.6 Jan 8, 2018 | EXE 96.5 MB | Download |
| Interface Configuration Software SMALL The full setup only includes the WAGO Interface Configuration Software. | 1.5.4.6 Jan 8, 2018 | EXE 46.0 MB | Download |

Subject to changes.