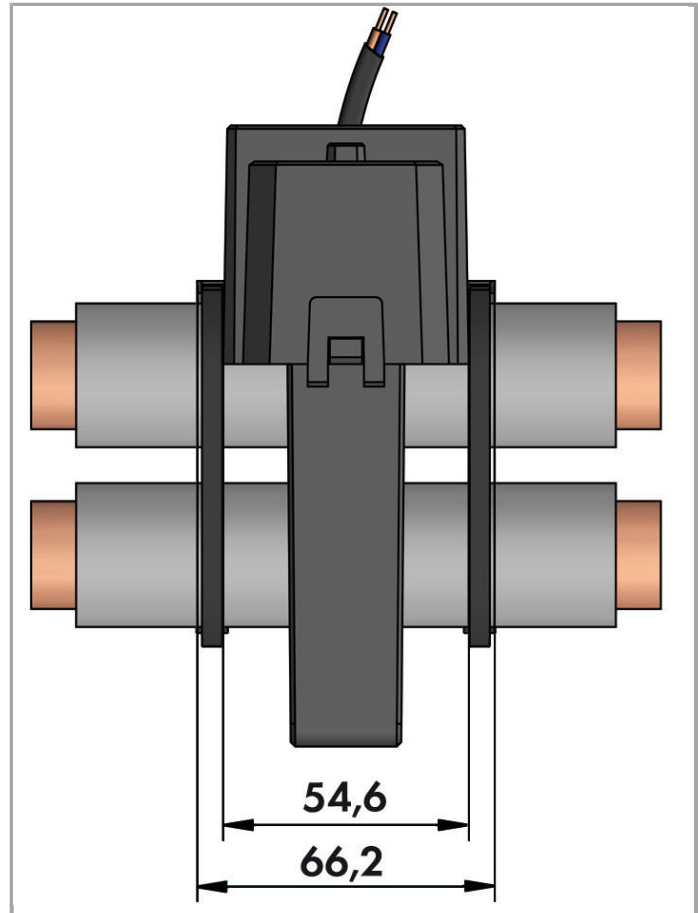


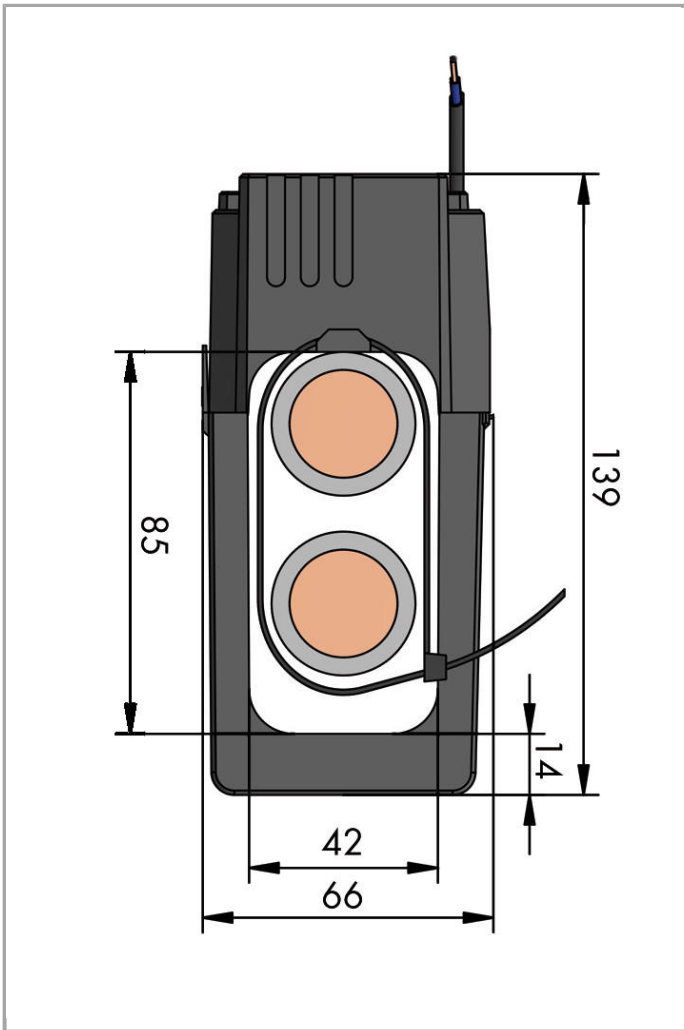
Data sheet | Item number: 855-5105/1000-000

Split-core current transformer; Primary rated current: 1000 A; Secondary rated current: 5 A; Rated power: 0.5 VA; Accuracy class: 0.5; Cable length: 3 m



www.wago.com/855-5105/1000-000





Item description

Short description:

WAGO's compact split-core current transformers are ideal for retrofitting existing systems. They are perfect for applications in which the current path must not be disrupted. The transformer's accuracy permits extremely precise current measurements. The split-core current transformers are capable of supplying the specified rated power at the end of the secondary cable. All transformers are supplied with color-coded cables. Two UV-resistant cable ties are also included for secure and easy mounting.

Features:

- Current ratios from 60 A up to 1000 A (primary side) and 1 A or 5 A (secondary side)
- No measuring cable interruption
- Ideal for use in very confined spaces
- Rapid mounting
- For use around insulated cables up to 42 mm diameter
- Compact and hinged
- Color-coded connecting cables up to 5 m

Data

Technical Data

Input – current transformer

Primary rated current	1000 A
Rated continuous thermal current I_{cth}	100 %
Rated short-time thermal current I_{th}	$60 \times I_N / 1 \text{ s}$
Rated surge current I_{dyn}	$2.5 \times I_{th}$
Rated frequency	50 ... 60 Hz

Output – Current transformer

Secondary rated current	5 A
Rated power S_r	0.5 VA
Highest voltage for equipment U_m	720 V _{rms} AC

Measurement error

Accuracy class	0.5
----------------	-----

Safety and protection:

Test voltage	3 kV AC; 50Hz; 1min
Degree of protection	IP20

Connection data

Feedthrough for measurement conductor	Ø Ø 42 x 48 mm
Type of cable	2 x 1.5 mm ² , fine-stranded
Color coding	Black = S1; red = S2

Geometrical Data

Cable length	3 m
--------------	-----

Mechanical data

Type of mounting	Split-core current transformer
------------------	--------------------------------

Material Data

Insulation class	E
Flammability class per UL94	V2
Housing material	PA 66

Weight	9.999 g
--------	---------

Environmental Requirements

Surrounding air (operating) temperature	-10 ... 40 °C
Surrounding air (storage) temperature	-20 ... 70 °C
Relative humidity	5 ... 85 % (no condensation)
Max. operating altitude	2000 m

Standards and specifications








Conformity marking	CE
Standards/specifications	EN 61869-1; EN 61869-2

Commercial data

Country of origin	NL
GTIN	4055143056403
Customs Tariff No.	85043180888
Product Group	29 (Interface Electronic (NET))

Compatible products

General accessories

	Item no.: 2007-8873 Compact terminal block; for current and voltage transformers	www.wago.com/2007-8873
	Item no.: 2007-8874 Compact terminal block; for current and voltage transformers	www.wago.com/2007-8874
	Item no.: 2007-8875 Compact terminal block; for current transformer circuit	www.wago.com/2007-8875
	Item no.: 2007-8876 Compact terminal block; for 3-phase current transformer circuit	www.wago.com/2007-8876
	Item no.: 2007-8877 Compact terminal block; for current transformer circuit	www.wago.com/2007-8877
	Item no.: 857-550 Current signal conditioner; Current input signal; Current and voltage output signal; Digital output; Configuration via software; Supply voltage: 24 VDC; 6 mm module width	www.wago.com/857-550
	Item no.: 857-569 Power signal conditioner; Current and voltage input signal; Current and voltage output signal; Digital output; Configuration via software; Supply voltage: 24 VDC; 6 mm module width	www.wago.com/857-569

Downloads

Documentation

Additional Information



Disposal; Electrical and electronic equipment, Packaging

Oct 15, 2018

265.8 kB

[Download](#)

Engineering-Software

Software for Interface-Products

Interface Configuration Software SMALL

1.5.4.6

EXE

[Download](#)

The full setup only includes the WAGO Interface Configuration Software.

Jan 8, 2018

46.0 MB

Interface Configuration Software FULL

1.5.4.6

EXE

[Download](#)

The full setup, in addition to the WAGO Interface Configuration Software, includes the installation for the Microsoft .NET Framework.

Subject to changes.

WAGO Kontakttechnik GmbH & Co. KG

Hansastr. 27

32423 Minden

Phone: +49571 887-0 | Fax: +49571 887-169

Email: info.de@wago.com | Web: www.wago.com

Do you have any questions about our products?

We are always happy to take your call at +49 (571) 887-44222.