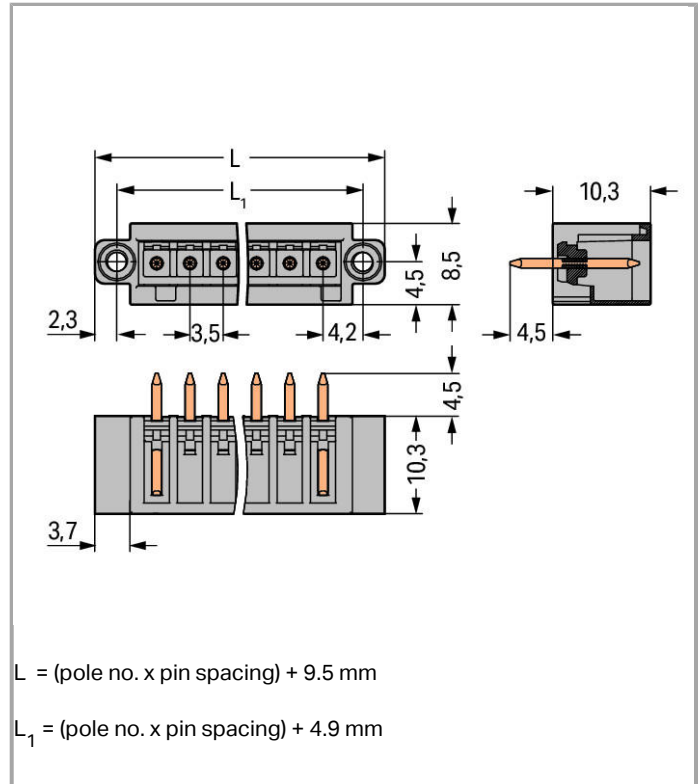
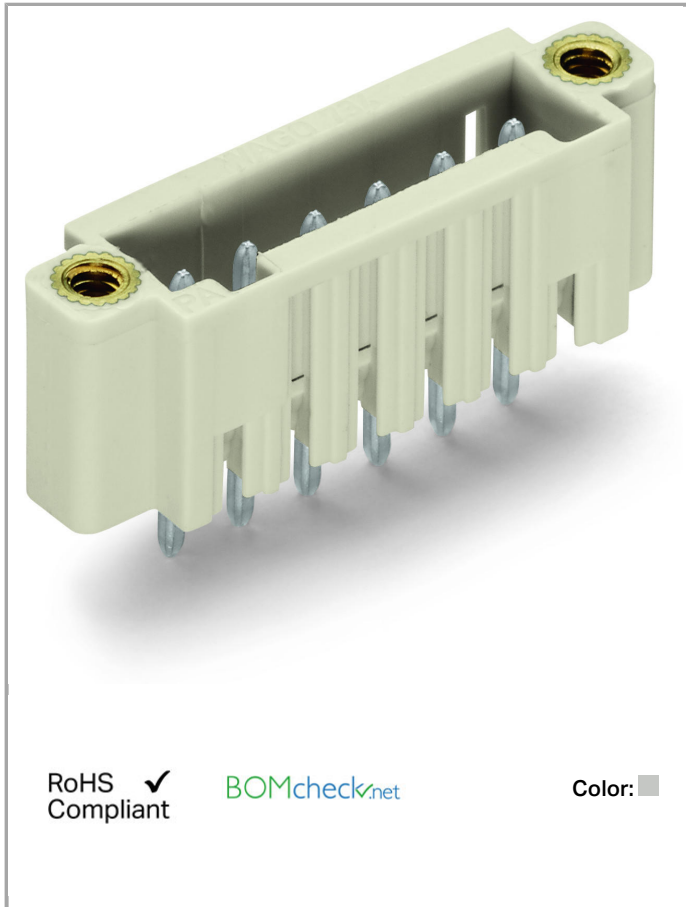


## Data sheet | Item number: 734-142/108-000

THT male header; 1.0 x 1.0 mm solder pin; straight; 100% protected against mismatching; Threaded flange; Pin spacing 3.5 mm; 12-pole



[www.wago.com/734-142/108-000](http://www.wago.com/734-142/108-000)



RoHS Compliant

Color:

### Item description

- Horizontal or vertical PCB mounting via straight or angled solder pins
- 100 % protected against mismatching; only mating halves with the same number of poles can be connected together
- Coding via coding fingers

Other variants can be requested via the WAGO sales department or, if necessary, configured at <https://configurator.wago.com/>: Gold-plated or partially gold-plated contact surfaces, Other pole numbers

### Data

#### Electrical data

#### Ratings per IEC/EN 60664-1

|                                 |        |
|---------------------------------|--------|
| Rated voltage (III / 3)         | 160 V  |
| Rated impulse voltage (III / 3) | 2.5 kV |



|                                 |   |
|---------------------------------|---|
| Rated voltage (III / 2)         | 160 V   |
| Rated impulse voltage (III / 2) | 2.5 kV  |
| Rated voltage (II / 2)          | 320 V   |
| Rated impulse voltage (II / 2)  | 2.5 kV  |
| Rated current                   | 10 A  |
| Legend (ratings)                | (III / 2) $\hat{=}$ Overvoltage category III / Pollution degree 2 |

### Approvals per UL 1059

|                                |       |
|--------------------------------|-------|
| Rated voltage UL (Use Group B) | 300 V |
| Rated current UL (Use Group B) | 10 A  |
| Rated voltage UL (Use Group D) | 300 V |
| Rated current UL (Use Group D) | 10 A  |

### Approvals per CSA

|                                 |       |
|---------------------------------|-------|
| Rated voltage CSA (Use Group B) | 300 V |
| Rated current CSA (Use Group B) | 10 A  |
| Rated voltage CSA (Use Group D) | 300 V |
| Rated current CSA (Use Group D) | 10 A  |

### Connection data

|                            |    |
|----------------------------|----|
| No. of poles               | 12 |
| Total number of potentials | 12 |
| Number of levels           | 1  |

### Geometrical Data

|                                   |                          |
|-----------------------------------|--------------------------|
| Pin spacing                       | 3.5 mm (0.138 inch)      |
| Width                             | 51.5 mm / 2.028 inch     |
| Height                            | 14.8 mm / 0.583 inch     |
| Height from the surface           | 10.3 mm / 0.406 inch     |
| Depth                             | 8.5 mm / 0.335 inch      |
| Solder pin length                 | 4.5 mm                   |
| Solder pin dimensions             | 1 x 1 mm                 |
| Drilled hole diameter (tolerance) | 1.4 <sup>(+0.1)</sup> mm |

### Plug connection

|                                    |                     |
|------------------------------------|---------------------|
| Contact type (pluggable connector) | Male connector/plug |
| Connector connection type          | for PCBs            |
| Mismating protection               | Yes                 |
| Mating direction to the PCB        | 90°                 |

Locking of plug-in connection

Threaded flange

### PCB contact

|                                     |   |
|-------------------------------------|---|
| PCB contact                         | THT                                     |
| Solder pin arrangement              | over the entire male connector, in line |
| Number of solder pins per potential | 1                                       |

### Material Data

|                             |                           |
|-----------------------------|---------------------------|
| Color                       | light gray                |
| Material group              | I                         |
| Insulating material         | Polyamide 66 (PA 66)      |
| Flammability class per UL94 | V0                        |
| Contact material            | Electrolytic copper (Ecu) |
| Contact plating             | tin-plated                |
| Fire load                   | 0.054 MJ                  |
| Weight                      | 3.36 g                    |

### Environmental Requirements



|                         |                 |
|-------------------------|-----------------|
| Limit temperature range | -60 ... +100 °C |
|-------------------------|-----------------|

### Commercial data

|                    |                        |
|--------------------|------------------------|
| Country of origin  | DE                     |
| GTIN               | 4045454618698          |
| Customs Tariff No. | 85366990990            |
| Product Group      | 3 (Multi Conn. System) |

### Approvals / Certificates

#### UL-Approvals

| Logo   | Approval                             | Certificate name |
|--|--------------------------------------|------------------|
|  | UL<br>UL International Germany GmbH  | E45171           |
|  | UR<br>Underwriters Laboratories Inc. | E45172           |

### Compatible products

#### Coding



Item no.: 734-130

Coding key; to be snapped above top level

[www.wago.com/734-130](http://www.wago.com/734-130)



Item no.: 734-159

Coding key; to be snapped above top level

[www.wago.com/734-159](http://www.wago.com/734-159)

## Downloads

### smartDATA

#### PCB libraries

|  |                      |               |          |
|--|----------------------|---------------|----------|
| TARGET Library for WAGO Pluggable PCB Connectors (Multi-Connection System)<br>Compatible with TARGET PCB Design Software Version 17.x        | 1.1.0<br>Oct 6, 2014 | ZIP<br>7.4 MB | Download |
| DesignSpark Library for WAGO Pluggable PCB Connectors (MULTI CONNECTION SYSTEM)<br>Compatible with DesignSpark PCB Version 4.x or higher     | 2.1<br>Oct 6, 2014   | ZIP<br>6.1 MB | Download |
| EAGLE Library for WAGO Pluggable PCB Connectors (MULTI CONNECTION SYSTEM)<br>Compatible with EAGLE PCB Design Software Version 6.x or higher | 2.1<br>Nov 17, 2017  | ZIP<br>6.2 MB | Download |

#### CAD data

|                             |  |     |          |
|-----------------------------|--|-----|----------|
| 3D Download 734-142/108-000 |  | URL | Download |
|-----------------------------|--|-----|----------|

Subject to changes.