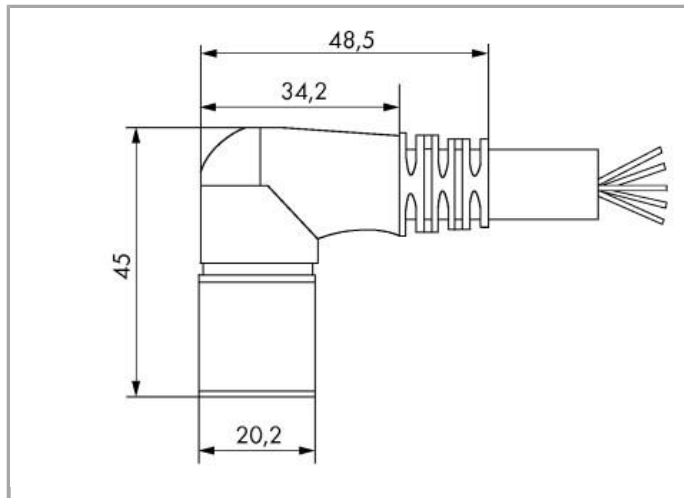
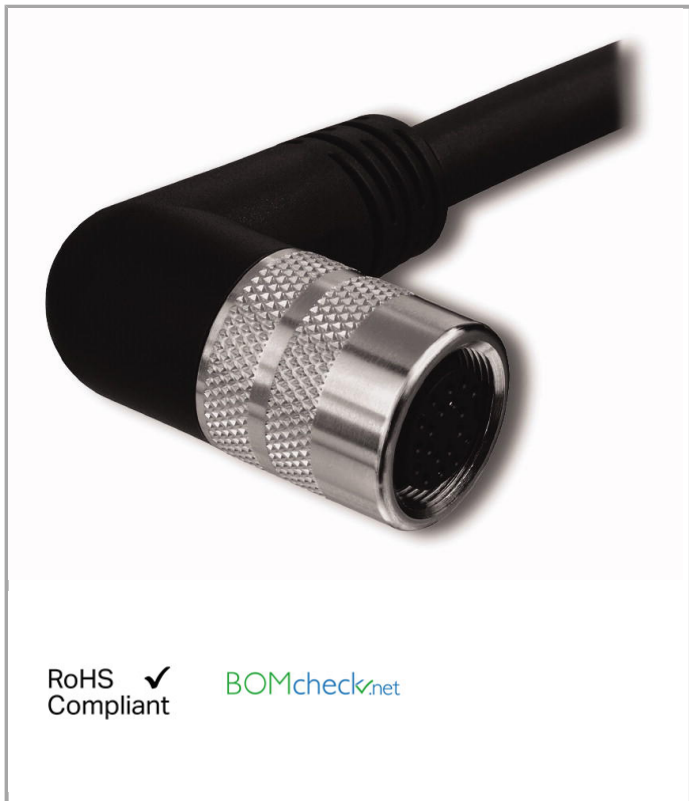


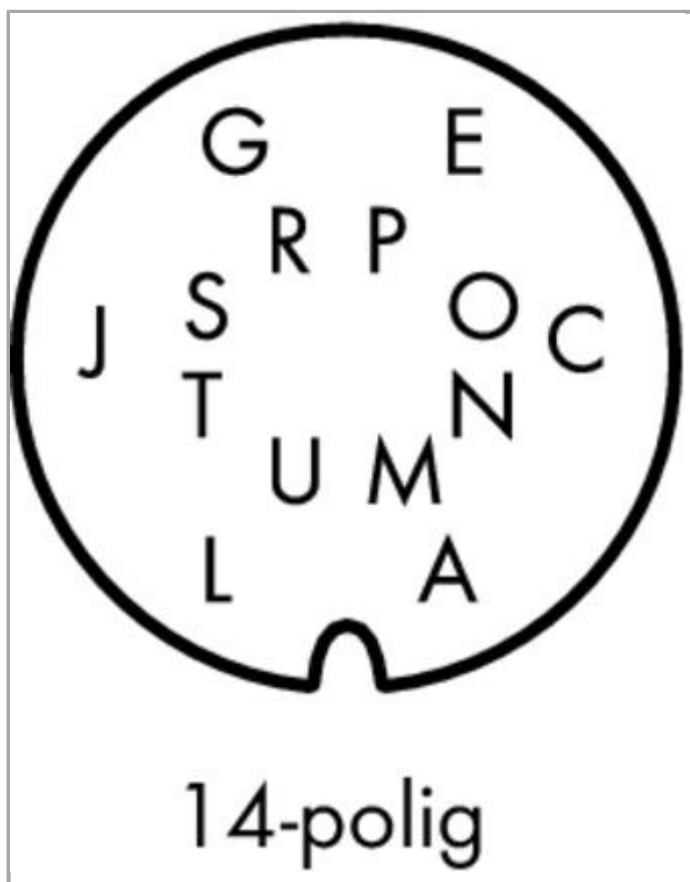
Data sheet | Item number: 756-3206/140-150

Connecting cable; for the connection of M8 sensor/actuator boxes; 14-pole;  
M16 socket, angled; one free cable end; 15 m



[www.wago.com/756-3206/140-150](http://www.wago.com/756-3206/140-150)





Pin A, L: 0,75 mm<sup>2</sup>  
 Pin C - J, N - T: 0,34 mm<sup>2</sup>

A braun	N pink-braun
C weiß-pink	O violett
E schwarz	P weiß
G rosa	R rot
J grün	S grau
L blau	T gelb
M gebrückt mit A	U gebrückt mit L

## Data

### Technical Data

Connection type	M16 socket - free end
No. of poles	14
Leitungsanschlussrichtung zur Steckrichtung	90°
Cable length	15 m
Operating voltage	150 V
Operating current	4 A
Operating current	6 A (0,75 mm <sup>2</sup> )
Rated surge voltage	1,2 kV

### Mechanical data

Bending cycles	2
Schleppkettentauglichkeit	yes
Durchmesser der Mantelleitung	8.9 ... 9.3 mm
Weight	1640 g

### Environmental Requirements

Umgebungstemperatur (Betrieb) bewegt	-30 ... +90 °C
--------------------------------------	----------------



---

Umgebungstemperatur (Betrieb) ruhend	-40 ... +90 °C
Degree of protection	IP67

---

### Commercial data

---

Country of origin	DE
GTIN	4044918978552
Customs Tariff No.	85444290900

---

### Downloads

#### Documentation

#### System Description

---

Sensor/Actuator Boxes – General Product Information	Jun 6, 2017	Download
		357.7 kB

---

Subject to changes.