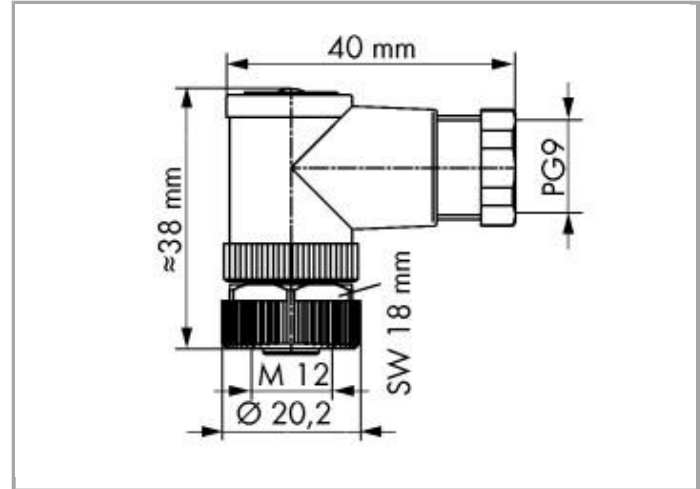


Data sheet | Item number: 756-9216/050-000

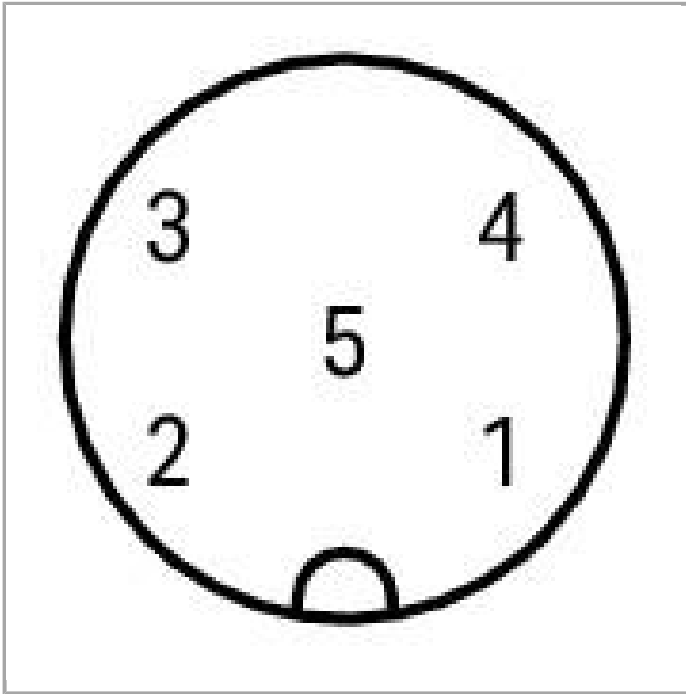
Connectors for sensor/actuator cable; 5-pole; M12 socket, angled

www.wago.com/756-9216/050-000



RoHS Compliant

[BOMcheck.net](https://www.bomcheck.net)



Anschließbare Leitung
 $\varnothing 6 \dots 8 \text{ mm} / 0,14 - 0,5 \text{ mm}^2$

Data

Technical Data

Connection type	M12 socket
No. of poles	5
Leitungsanschlussrichtung zur Steckrichtung	90°
Steckgesichtkodierung Leitung/Adapter 1 1	A coded

Connection data

Connection type (1)	Federtechnik
Solid conductor	0.14 ... 0.5 mm ² / ...

Mechanical data

Connectable sheathed cable diameter	6 ... 8 mm
Weight	31 g

Environmental Requirements

Surrounding air (operating) temperature	-25 ... 85 °C
Degree of protection	IP67

Commercial data

Country of origin	DE
GTIN	4050821114369
Customs Tariff No.	85369010000



Downloads

Documentation

System Description

767 Series, SPEEDWAY accessories, data sheet

May 16, 2018

1.0 MB

Download

Subject to changes.

WAGO Kontakttechnik GmbH & Co. KG

Hansastr. 27

32423 Minden

Phone: +49571 887-0 | Fax: +49571 887-169

Email: info.de@wago.com | Web: www.wago.com

Do you have any questions about our products?

We are always happy to take your call at +49 (571) 887-44222.