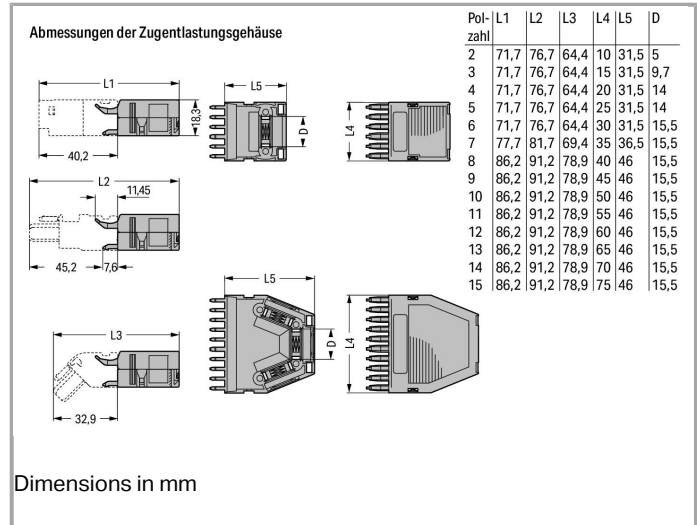




RoHS Compliant

[BOMcheck.net](https://www.bomcheck.net)

Color:



Data

Connection data

No. of poles 4

Geometrical Data

Width 20 mm / 0.787 inch

Height 18.3 mm / 0.72 inch

Depth 46 mm / 1.811 inch

Material Data

Color gray

Fire load 0.129 MJ

Weight 4.3 g

Commercial data

Country of origin DE

GTIN 4017332652896




Customs Tariff No. 8538909990

Product Group

18 (X-COM-System)

Compatible products

Marking accessories

	Item no.: 209-501 WSB marking card; as card; not stretchable; plain; snap-on type	www.wago.com/209-501
	Item no.: 209-501/000-002 WSB marking card; as card; not stretchable; plain; snap-on type	www.wago.com/209-501/000-002
	Item no.: 209-501/000-005 WSB marking card; as card; not stretchable; plain; snap-on type	www.wago.com/209-501/000-005
	Item no.: 209-501/000-006 WSB marking card; as card; not stretchable; plain; snap-on type	www.wago.com/209-501/000-006
	Item no.: 209-501/000-007 WSB marking card; as card; not stretchable; plain; snap-on type	www.wago.com/209-501/000-007
	Item no.: 209-501/000-012 WSB marking card; as card; not stretchable; plain; snap-on type	www.wago.com/209-501/000-012
	Item no.: 209-501/000-017 WSB marking card; as card; not stretchable; plain; snap-on type	www.wago.com/209-501/000-017
	Item no.: 209-501/000-023 WSB marking card; as card; not stretchable; plain; snap-on type	www.wago.com/209-501/000-023
	Item no.: 209-501/000-024 WSB marking card; as card; not stretchable; plain; snap-on type	www.wago.com/209-501/000-024

Downloads

Documentation

Bid Text

769-1604	Oct 19, 2017	DOC 23.6 kB	Download
----------	--------------	----------------	----------

smartDATA

CAD data

3D Download 769-1604	URL	Download
----------------------	-----	----------



Subject to changes.

WAGO Kontakttechnik GmbH & Co. KG
Hansastr. 27
32423 Minden
Phone: +49571 887-0 | Fax: +49571 887-169
Email: info.de@wago.com | Web: www.wago.com

Do you have any questions about our products?
We are always happy to take your call at +49 (571) 887-44222.