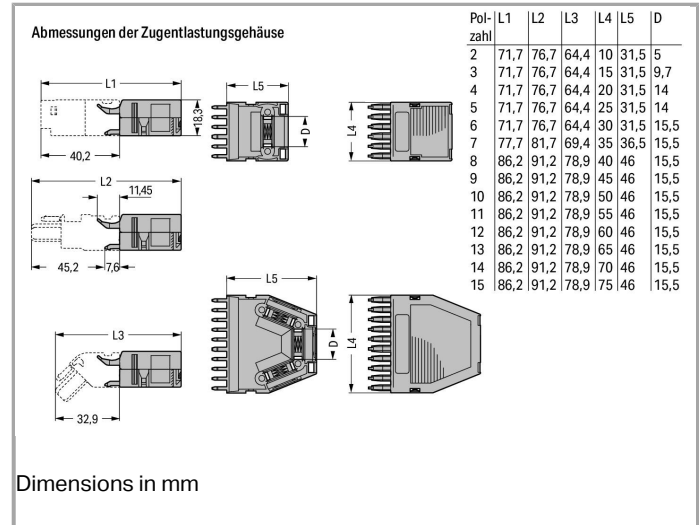


RoHS  Compliant

[BOMcheck.net](https://www.bomcheck.net)

Color:



### Data

#### Connection data

No. of poles 6

#### Geometrical Data

Width 30 mm / 1.181 inch

Height 18.3 mm / 0.72 inch

Depth 31.5 mm / 1.24 inch

#### Material Data

Color gray

Fire load 0.18 MJ

Weight 5.98 g

#### Commercial data

Country of origin DE

GTIN 4017332728546

Customs Tariff No. 85389099990

Product Group

18 (X-COM-System)

## Compatible products

### General accessories



**Item no.: 209-173**  
Fixing screw; for cable clamp; 7 or more poles

[www.wago.com/209-173](http://www.wago.com/209-173)

**Item no.: 209-174**  
Cable clamp; for strain relief; 7 or more poles

[www.wago.com/209-174](http://www.wago.com/209-174)

### Marking accessories



**Item no.: 209-501**  
WSB marking card; as card; not stretchable; plain; snap-on type

[www.wago.com/209-501](http://www.wago.com/209-501)

**Item no.: 209-501/000-002**  
WSB marking card; as card; not stretchable; plain; snap-on type

[www.wago.com/209-501/000-002](http://www.wago.com/209-501/000-002)

**Item no.: 209-501/000-005**  
WSB marking card; as card; not stretchable; plain; snap-on type

[www.wago.com/209-501/000-005](http://www.wago.com/209-501/000-005)

**Item no.: 209-501/000-006**  
WSB marking card; as card; not stretchable; plain; snap-on type

[www.wago.com/209-501/000-006](http://www.wago.com/209-501/000-006)

**Item no.: 209-501/000-007**  
WSB marking card; as card; not stretchable; plain; snap-on type

[www.wago.com/209-501/000-007](http://www.wago.com/209-501/000-007)

**Item no.: 209-501/000-012**  
WSB marking card; as card; not stretchable; plain; snap-on type

[www.wago.com/209-501/000-012](http://www.wago.com/209-501/000-012)

**Item no.: 209-501/000-017**  
WSB marking card; as card; not stretchable; plain; snap-on type

[www.wago.com/209-501/000-017](http://www.wago.com/209-501/000-017)

**Item no.: 209-501/000-023**  
WSB marking card; as card; not stretchable; plain; snap-on type

[www.wago.com/209-501/000-023](http://www.wago.com/209-501/000-023)

**Item no.: 209-501/000-024**  
WSB marking card; as card; not stretchable; plain; snap-on type

[www.wago.com/209-501/000-024](http://www.wago.com/209-501/000-024)

## Downloads

### Documentation

#### Bid Text

769-1606

Oct 19, 2017

DOC

Download



23.6 kB

---

## smartDATA

### CAD data

3D Download 769-1606

URL

Download

---

Subject to changes.