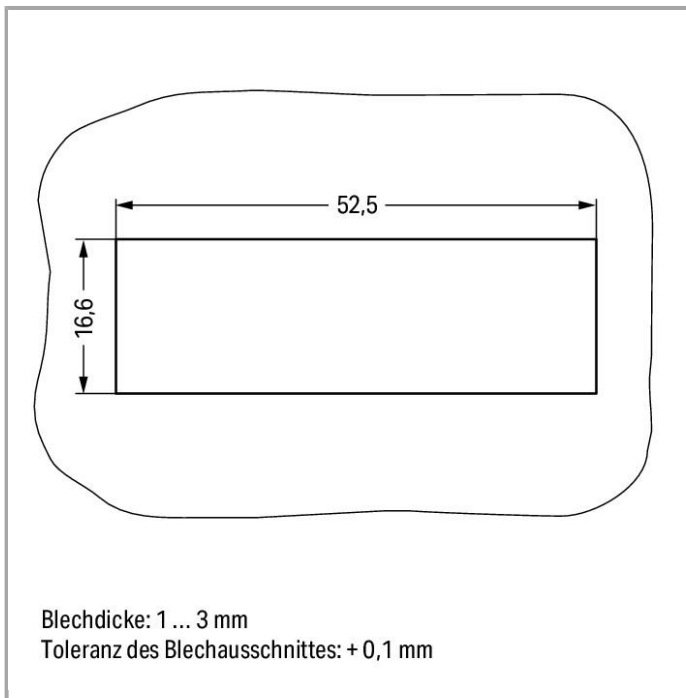
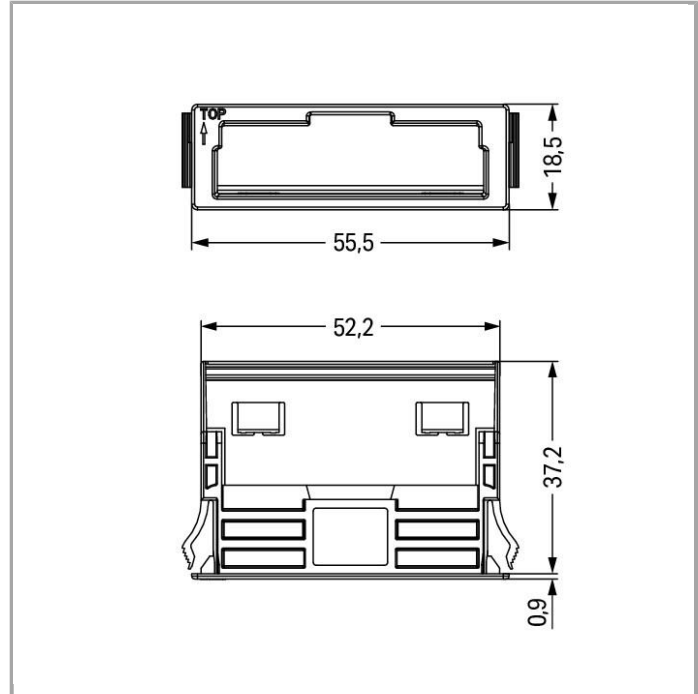
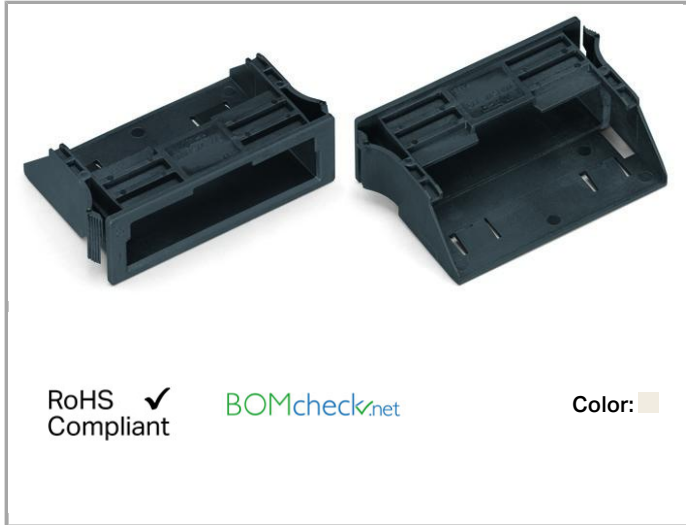


Data sheet | Item number: 770-340

Snap-in frame; 5-pole; for 1 - 3 mm plate thickness; suitable for coding A / I / P / Q



[www.wago.com/770-340](http://www.wago.com/770-340)



Data

Electrical data

## Ratings per IEC/EN 60664-1

Legend (ratings)

(III / 3)  $\hat{=}$  Overvoltage category III / Pollution degree 3

## Geometrical Data

Width	55.5 mm / 2.185 inch
Height	18.5 mm / 0.728 inch
Depth	37.5 mm / 1.476 inch

## Mechanical data

Gehäuseblechstärke	1 ... 3 mm / 0.039 ... 0.118 inch
Mounting type	Snap-in
Degree of protection	IP20

## Material Data

Color	white
Insulating material	Polyamide 66 (PA 66)
Flammability class per UL94	V0
Fire load	0.167 MJ
Weight	5.58 g

## Environmental Requirements

Surrounding air (operating) temperature	-35 ... 85 °C
---	---------------

## Commercial data

Packaging type	bag
Country of origin	DE
GTIN	4050821117889
Customs Tariff No.	39269097900
Product Group	20 (WINSTA)

## Approvals / Certificates

### Ship Approvals

Logo	Approval	Certificate name
	LR Lloyds Register	02/20050 (E6)

## Compatible products

### Locking lever



Item no.: 770-140

Locking lever; for sockets; for manual operation

[www.wago.com/770-140](http://www.wago.com/770-140)

## Downloads

### Documentation

#### Bid Text

770-340	Jan 21, 2016	DOC	Download
WINSTA MIDI 5-polig		24.1 kB	

## smartDATA

### CAD data

3D Download 770-340	URL	Download
---------------------	-----	----------

Subject to changes.