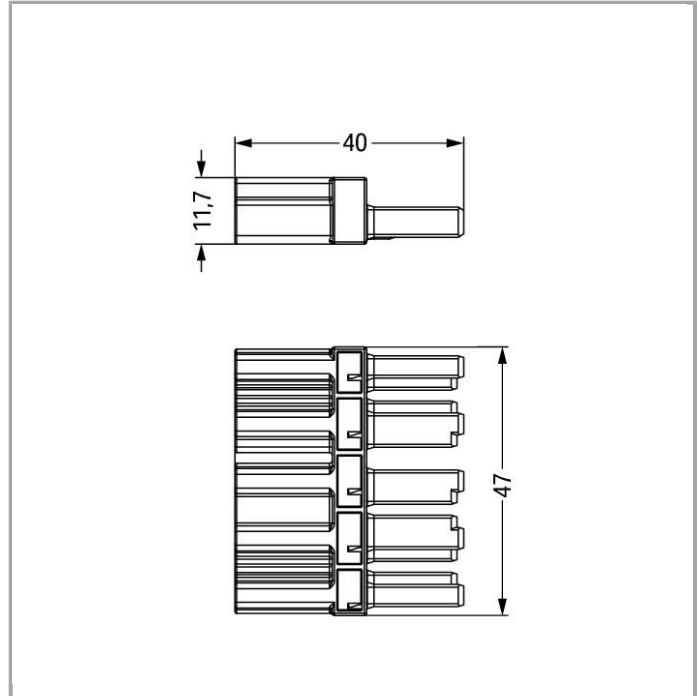
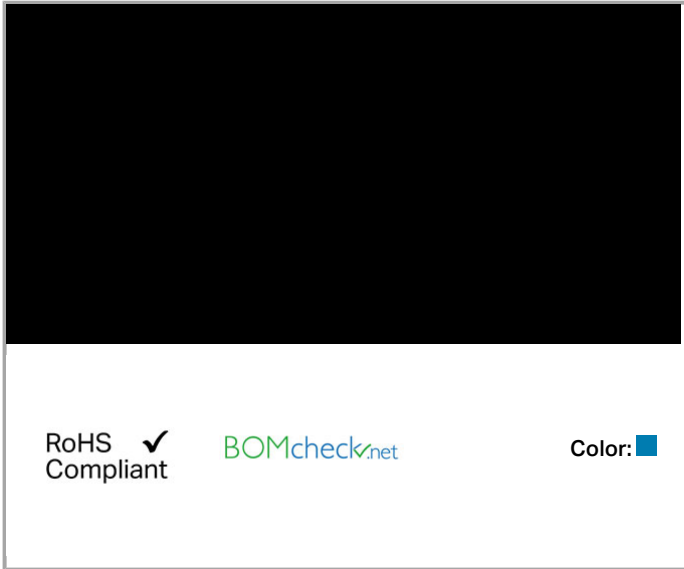


Data sheet | Item number: 770-619

Intermediate coupler; 1 x plug / 1 x socket; 5-pole; 100% protected against mismatching



www.wago.com/770-619



Item description

Note:

All connectors for mounted installations (snap-in versions for lighting fixtures or devices, all types of PCB and distribution connectors) are factory-equipped with locking levers to ensure plugs and sockets are securely locked. Additional locking levers are only required for flying leads (plug /socket).

Data

Electrical data

Ratings per IEC/EN 60664-1

Rated voltage (III / 3)	400 V
Rated impulse voltage (III / 3)	6 kV
Rated current	25 A
Legend (ratings)	(III / 3) ≙ Overvoltage category III / Pollution degree 3

Connection data

No. of poles	5
Total number of potentials	5



Geometrical Data

Pin spacing	10 mm (0.394 inch)
Width	47 mm / 1.85 inch
Height	11.6 mm / 0.457 inch
Depth	40 mm / 1.575 inch

Mechanical data

Coding	I
Mating force of a plug-in connection	approx. 20 ... 70 N (depending on pole number)
Retention force of a plug-in connection	when locked: > 80N
Unmating force of a plug-in connection	when unlocked: approx. 20 ... 70 N (depending on pole number)
Type of distribution connector	Intermediate coupler
Degree of protection	IP20

Plug connection

Contact type (pluggable connector)	Socket/plug
Mismating protection	Yes
Locking of plug-in connection	locking lever
Locking lever	yes

Material Data

Color	blue
Insulating material	Polyamide 66 (PA 66)
Flammability class per UL94	V0
Contact material	Copper or copper alloy, surface-treated
Fire load	0.174 MJ
Weight	9.584 g

Environmental Requirements

Surrounding air (operating) temperature	-35 ... 85 °C
---	---------------

Commercial data

Country of origin	DE
GTIN	4044918524179
Customs Tariff No.	85366990990

Approvals / Certificates

Country specific Approvals

Logo	Approval	Certificate name
------	----------	------------------

CCA DEKRA Certification B.V.	NL-32105
---------------------------------	----------



CCA DEKRA Certification B.V.	2173495.02
---------------------------------	------------

Ship Approvals

Logo	Approval	Certificate name
------	----------	------------------



ABS American Bureau of Shipping	14-HG1241528-PDA
---	------------------



DNV GL Det Norske Veritas, Germanischer Lloyd	TAE00001Z6
---	------------



LR Lloyds Register	02/20050 (E6)
------------------------------	---------------

UL-Approvals

Logo	Approval	Certificate name
------	----------	------------------



cULus Underwriters Laboratories Inc.	E45171 Sec. 9
--	---------------

Compatible products
protection

Item no.: 770-201 Lockout cap; for socket; 12-pole; separable	www.wago.com/770-201
---	--

Item no.: 770-221 Lockout cap; for socket; 12-pole; separable	www.wago.com/770-221
---	--



Item no.: 770-360 Lockout cap; for plugs; 5-pole; separable	www.wago.com/770-360
---	--

Downloads

Documentation

Bid Text

770-619	Jan 21, 2016	DOC 23.6 kB	Download
---------	--------------	----------------	----------



Subject to changes.

WAGO Kontakttechnik GmbH & Co. KG
Hansastr. 27
32423 Minden
Phone: +49571 887-0 | Fax: +49571 887-169
Email: info.de@wago.com | Web: www.wago.com

Do you have any questions about our products?
We are always happy to take your call at +49 (571) 887-44222.