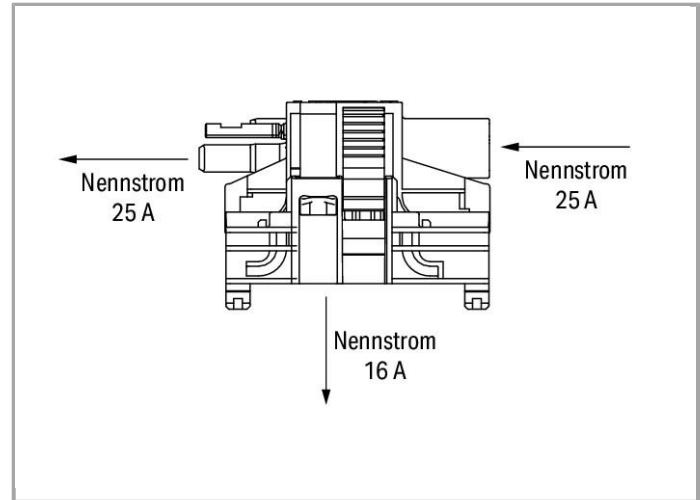
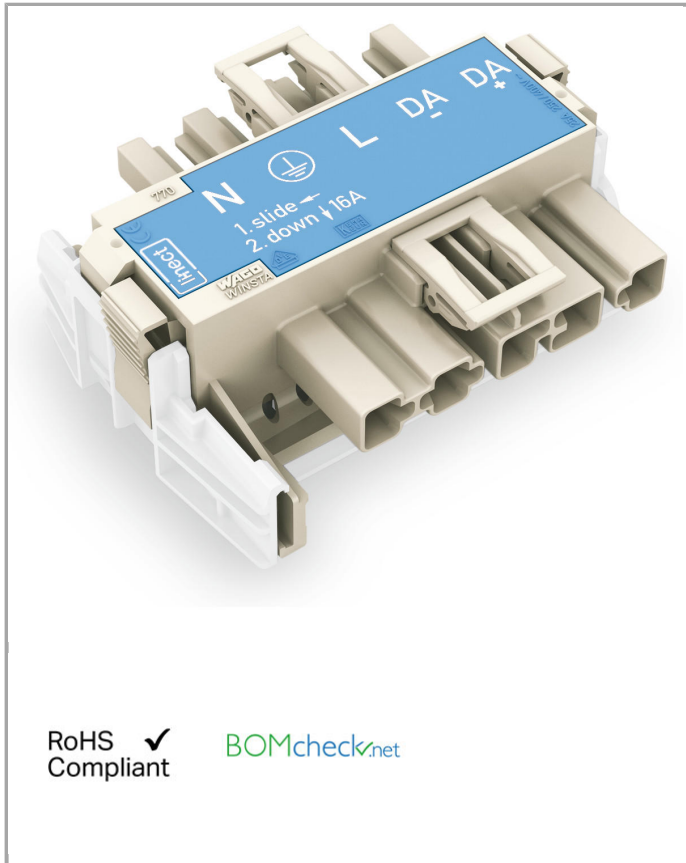


Data sheet | Item number: 770-7105

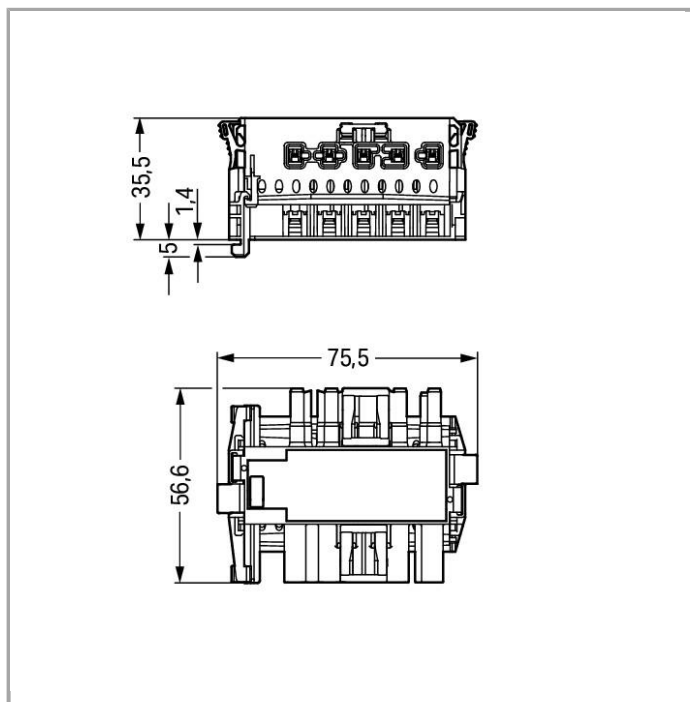
Linect® T-connector; 5-pole; Cod. I; 1 input; 2 outputs

www.wago.com/770-7105



RoHS  Compliant

[BOMcheck.net](https://www.bomcheck.net)



Item description

Note:

All connectors for mounted installations (snap-in versions for lighting fixtures or devices, all types of PCB and distribution connectors) are factory-equipped with locking levers to ensure plugs and sockets are securely locked. Additional locking levers are only required for flying leads (plug /socket).

Data

Electrical data

Ratings per IEC/EN 60664-1

Rated voltage (III / 3)	400 V
Rated impulse voltage (III / 3)	6 kV
Rated current	25 A
Rated current (2)	16 A
Legend (ratings)	(III / 3) \triangleq Overvoltage category III / Pollution degree 3

Connection data

No. of poles	5
Total number of potentials	5
Ground function	with preceding GND contact



Geometrical Data

Pin spacing	10 mm (0.394 inch)
Width	75.5 mm / 2.972 inch
Height	40.5 mm / 1.594 inch
Depth	56.6 mm / 2.228 inch

Mechanical data

Coding	I
Mating force of a plug-in connection	approx. 20 ... 70 N (depending on pole number)
Retention force of a plug-in connection	when locked: > 80N
Unmating force of a plug-in connection	when unlocked: approx. 20 ... 70 N (depending on pole number)
Type of distribution connector	Linect® T-connector
Marking	N L DA- DA+
Degree of protection	IP20
Potential marking	N L DA- DA+

Plug connection

Contact type (pluggable connector)	Socket/plug
Mismating protection	Yes
Locking of plug-in connection	locking lever
Locking lever	yes

Material Data

Color	white
Insulating material	Polyamide 66 (PA 66)
Flammability class per UL94	V0
Contact material	Copper or copper alloy, surface-treated
Fire load	0.905 MJ
Weight	41.15 g

Environmental Requirements


Surrounding air (operating) temperature	-35 ... 85 °C
-----------------------------------------	---------------

Commercial data


Country of origin	DE
GTIN	4050821000402
Customs Tariff No.	85366990990
Product Group	20 (WINSTA)

Approvals / Certificates

Country specific Approvals

Logo	Approval	Certificate name
	VDE VDE Prüf- und Zertifizierungsinstitut	40029808

Compatible products protection

	Item no.: 770-201 Lockout cap; for socket; 12-pole; separable	www.wago.com/770-201
	Item no.: 770-221 Lockout cap; for socket; 12-pole; separable	www.wago.com/770-221
	Item no.: 770-360 Lockout cap; for plugs; 5-pole; separable	www.wago.com/770-360

Downloads

Documentation

Bid Text

770-7105 WINSTA LINECT	Jan 19, 2016	DOC 24.1 kB	Download
---------------------------	--------------	----------------	----------

Subject to changes.