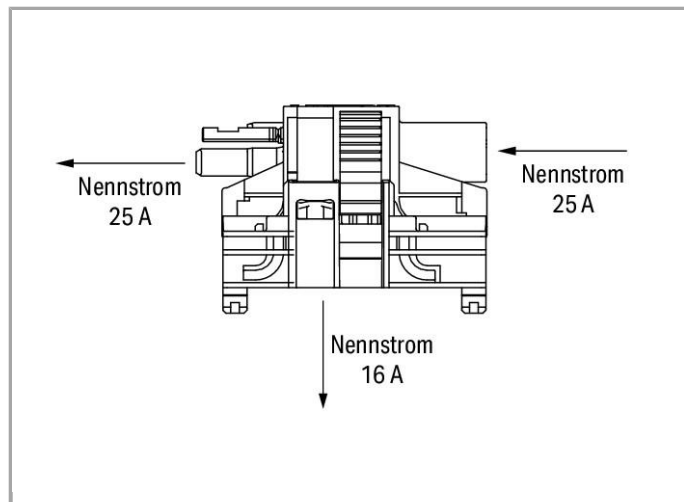
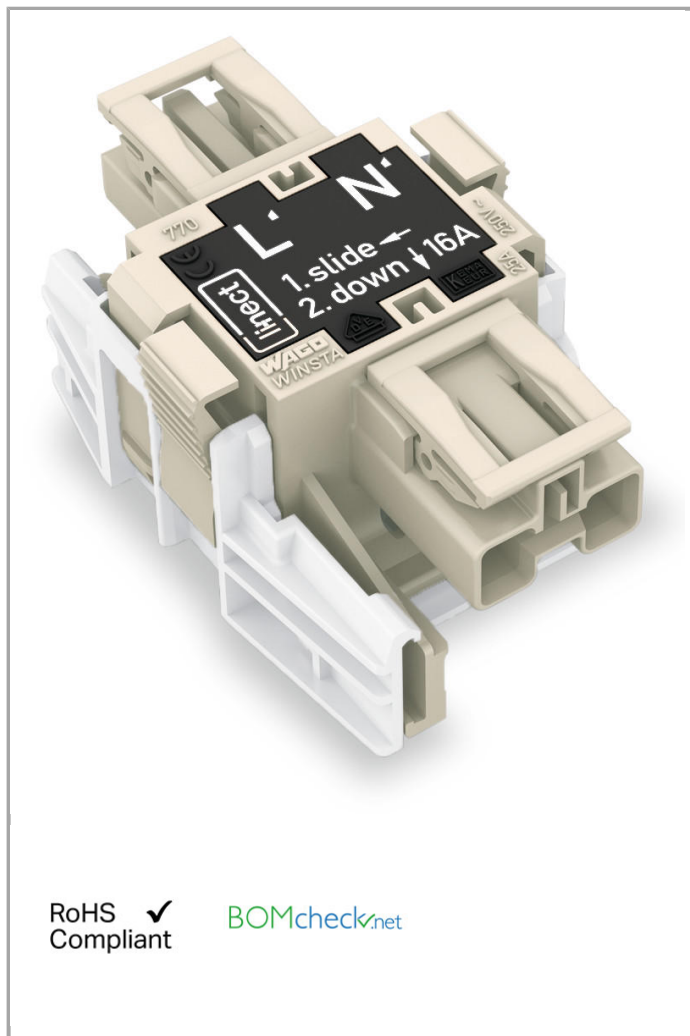
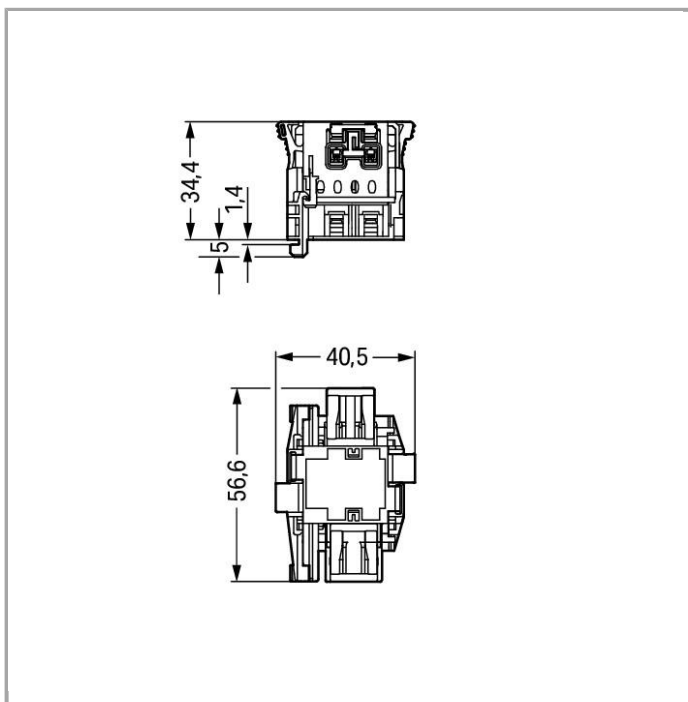


Data sheet | Item number: 770-7502

Linect® T-connector; 2-pole; Cod. L; 1 input; 2 outputs

www.wago.com/770-7502





Item description

Note:

All connectors for mounted installations (snap-in versions for lighting fixtures or devices, all types of PCB and distribution connectors) are factory-equipped with locking levers to ensure plugs and sockets are securely locked. Additional locking levers are only required for flying leads (plug /socket).

Data

Electrical data

Ratings per IEC/EN 60664-1

Rated voltage (III / 3)	250 V
Rated impulse voltage (III / 3)	4 kV
Rated current	25 A
Rated current (2)	16 A
Legend (ratings)	(III / 3) ≙ Overvoltage category III / Pollution degree 3

Connection data

No. of poles	2
Total number of potentials	2

Geometrical Data

Pin spacing	10 mm (0.394 inch)
-------------	--------------------



Width	40.5 mm / 1.594 inch
Height	39.4 mm / 1.551 inch
Depth	56.6 mm / 2.228 inch

Mechanical data

Coding	L
Mating force of a plug-in connection	approx. 20 ... 70 N (depending on pole number)
Retention force of a plug-in connection	when locked: > 80N
Unmating force of a plug-in connection	when unlocked: approx. 20 ... 70 N (depending on pole number)
Type of distribution connector	Linect [®] T-connector
Marking	L' N'
Degree of protection	IP20
Potential marking	L' N'

Plug connection

Contact type (pluggable connector)	Socket/plug
Mismating protection	Yes
Locking of plug-in connection	locking lever
Locking lever	yes

Material Data

Color	dark gray
Insulating material	Polyamide 66 (PA 66)
Flammability class per UL94	V0
Contact material	Copper or copper alloy, surface-treated
Fire load	0.478 MJ
Weight	19.48 g

Environmental Requirements


Surrounding air (operating) temperature	-35 ... 85 °C
---	---------------

Commercial data

Country of origin	DE
GTIN	4045454013783
Customs Tariff No.	85366990990
Product Group	20 (WINSTA)



Approvals / Certificates

Country specific Approvals

Logo	Approval	Certificate name
	VDE VDE Prüf- und Zertifizierungsinstitut	40029808

Compatible products

protection

	Item no.: 770-201 Lockout cap; for socket; 12-pole; separable	www.wago.com/770-201
	Item no.: 770-221 Lockout cap; for socket; 12-pole; separable	www.wago.com/770-221
	Item no.: 770-360 Lockout cap; for plugs; 5-pole; separable	www.wago.com/770-360

Downloads

Documentation

Bid Text

770-7502	Jan 19, 2016	DOC	Download
WINSTA LINECT		23.0 kB	

Subject to changes.