

Data sheet | Item number: 772-264/060-000

Supply module; with strain relief housing; Cable diameter 9 - 13 mm; 5-pole;
Coding B



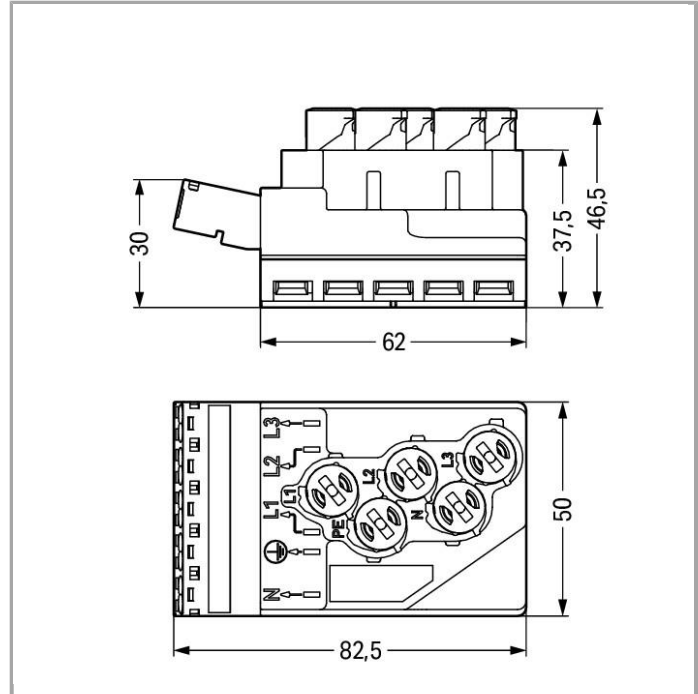
www.wago.com/772-264/060-000



RoHS Compliant

BOMcheck.net

Color: ■



Data

Electrical data

Ratings per IEC/EN 60664-1

Rated voltage (III / 3)	400 V
Rated impulse voltage (III / 3)	6 kV
Rated current	25 A
Legend (ratings)	(III / 3) ≙ Overvoltage category III / Pollution degree 3

Connection data

Connection technology	Push-in CAGE CLAMP®
Actuation type	Operating tool Push-in
Nominal cross section	4 mm ²
Solid conductor	0.5 ... 4 mm ² / 20 ... 12 AWG
Solid conductor, push-in termination	1.5 ... 4 mm ² / 16 ... 12 AWG
Stranded conductor	0.5 ... 2.5 mm ² / 20 ... 14 AWG



Fine-stranded conductor	0.5 ... 4 mm ² / 20 ... 12 AWG
Fine-stranded conductor with ferrule with plastic collar	0.25 ... 1.5 mm ² / 20 ... 16 AWG
Fine-stranded conductor with ferrule without plastic collar	0.25 ... 2.5 mm ² / 20 ... 14 AWG
Fine-stranded conductor with ferrule, push-in termination, from	1.5 mm ² / 16 AWG
Strip length	9 mm / 0.35 Inch
Connection technology 2	IDC connection
No. of poles	5
Total number of connection points	10
Total number of potentials	5

Geometrical Data

Width	50 mm / 1.969 inch
Height	46.5 mm / 1.831 inch
Depth	82.5 mm / 3.248 inch

Mechanical data

Mating force of a plug-in connection	approx. 30–70N (depending on number of poles)
Unmating force of a plug-in connection	when unlocked: approx. 15–20N
Marking	N L1 L2 L3
Degree of protection	IP20
Potential marking	N L1 L2 L3

Plug connection

Mismating protection	Yes
----------------------	-----

Material Data

Color	gray
Insulating material	Polyamide 66 (PA 66)
Flammability class per UL94	V0
Contact material	Copper or copper alloy, surface-treated
Fire load	2.221 MJ
Weight	94.953 g

Environmental Requirements

Surrounding air (operating) temperature	-35 ... 85 °C
---	---------------

Commercial data



Country of origin	DE
GTIN	4050821585770

Customs Tariff No.

85366990990

Compatible products




wiring and connectors

	Item no.: 897-251 Flat cable; PVC insulated; 5 x 2.5 mm ²	www.wago.com/897-251
	Item no.: 897-252 Flat cable; halogen-free; 5 x 2.5 mm ²	www.wago.com/897-252
	Item no.: 897-261 Flat cable; PVC insulated; 5 x 2.5 mm ² + 2 x 1.5 mm ²	www.wago.com/897-261
	Item no.: 897-262 Flat cable; halogen-free; 5 x 2.5 mm ² + 2 x 1.5 mm ²	www.wago.com/897-262
	Item no.: 897-453 Flat cable; halogen-free; 5 x 4 mm ²	www.wago.com/897-453

assembling

	Item no.: 772-260 Mounting plate; for power supply and tap-off modules	www.wago.com/772-260
--	--	--

tools

	Item no.: 210-635 Operating tool; short version; Blade (6.5 x 1.2) mm	www.wago.com/210-635
	Item no.: 210-636 Operating tool with partially insulated shaft; Blade (6.5 x 1.2) mm	www.wago.com/210-636
	Item no.: 210-720 Operating tool with partially insulated shaft; Type 2, blade (3.5 x 0.5) mm	www.wago.com/210-720

Downloads

Documentation

Bid Text

772-264/060-000	Sep 22, 2016	DOC 23.6 kB	Download
-----------------	--------------	----------------	----------

Subject to changes.

WAGO Kontakttechnik GmbH & Co. KG
 Hansastr. 27
 32423 Minden
 Phone: +49571 887-0 | Fax: +49571 887-169
 Email: info.de@wago.com | Web: www.wago.com

Do you have any questions about our products?
 We are always happy to take your call at +49 (571) 887-44222.