

## Data sheet | Item number: 772-267

Supply module; with strain relief housing; 5-pole; Cable diameter 9 - 13 mm;  
Coding P



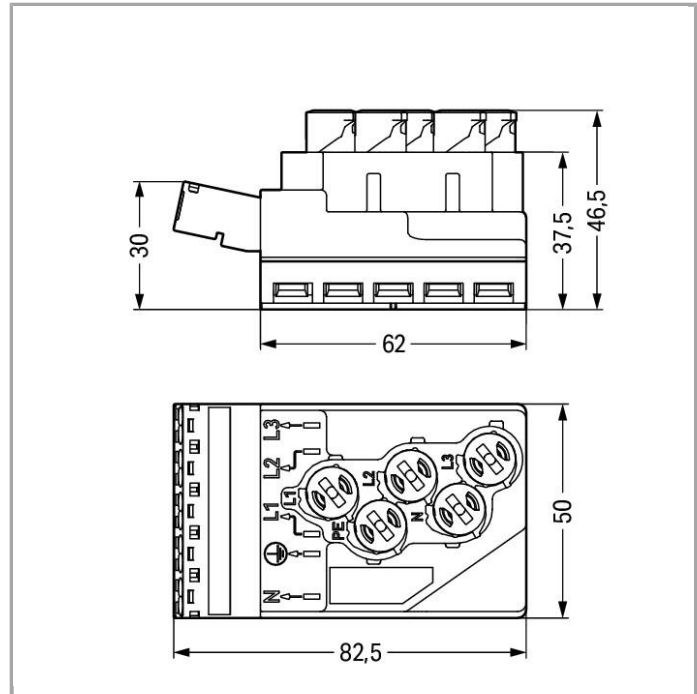
[www.wago.com/772-267](http://www.wago.com/772-267)



RoHS   
Compliant



Color: 



### Data

#### Electrical data

#### Ratings per IEC/EN 60664-1

Rated voltage (III / 3)	400 V
Rated impulse voltage (III / 3)	6 kV
Rated current	25 A
Legend (ratings)	(III / 3) ≙ Overvoltage category III / Pollution degree 3

#### Connection data

Connection technology	Push-in CAGE CLAMP®
Actuation type	Operating tool Push-in
Nominal cross section	4 mm <sup>2</sup>
Solid conductor	0.5 ... 4 mm <sup>2</sup> / 20 ... 12 AWG
Solid conductor, push-in termination	1.5 ... 4 mm <sup>2</sup> / 16 ... 12 AWG
Stranded conductor	0.5 ... 2.5 mm <sup>2</sup> / 20 ... 14 AWG



Fine-stranded conductor	0.5 ... 4 mm <sup>2</sup> / 20 ... 12 AWG
Fine-stranded conductor with ferrule with plastic collar	0.25 ... 1.5 mm <sup>2</sup> / 20 ... 16 AWG
Fine-stranded conductor with ferrule without plastic collar	0.25 ... 2.5 mm <sup>2</sup> / 20 ... 14 AWG
Fine-stranded conductor with ferrule, push-in termination, from	1.5 mm <sup>2</sup> / 16 AWG
Strip length	9 mm / 0.35 Inch
Connection technology 2	IDC connection
No. of poles	5
Total number of connection points	10
Total number of potentials	5

### Geometrical Data

Width	50 mm / 1.969 inch
Height	46.5 mm / 1.831 inch
Depth	82.5 mm / 3.248 inch

### Mechanical data

Mating force of a plug-in connection	approx. 30–70N (depending on number of poles)
Unmating force of a plug-in connection	when unlocked: approx. 15–20N
Marking	N L1 L2 L3
Degree of protection	IP20
Potential marking	N L1 L2 L3

### Plug connection

Mismating protection	Yes
----------------------	-----

### Material Data

Color	red
Insulating material	Polyamide 66 (PA 66)
Flammability class per UL94	V0
Contact material	Copper or copper alloy, surface-treated
Fire load	2.221 MJ
Weight	94.953 g

### Environmental Requirements

Surrounding air (operating) temperature	-35 ... 85 °C
-----------------------------------------	---------------

### Commercial data

Country of origin	DE
GTIN	4045454599515

Customs Tariff No.	85366990990
Product Group	20 (WINSTA)

## Compatible products

### assembling



**Item no.: 772-260**  
Mounting plate; for power supply and tap-off modules

[www.wago.com/772-260](http://www.wago.com/772-260)

### wiring and connectors

**Item no.: 897-251**  
Flat cable; PVC insulated; 5 x 2.5 mm<sup>2</sup>

[www.wago.com/897-251](http://www.wago.com/897-251)

**Item no.: 897-252**  
Flat cable; halogen-free; 5 x 2.5 mm<sup>2</sup>

[www.wago.com/897-252](http://www.wago.com/897-252)

**Item no.: 897-261**  
Flat cable; PVC insulated; 5 x 2.5 mm<sup>2</sup> + 2 x 1.5 mm<sup>2</sup>

[www.wago.com/897-261](http://www.wago.com/897-261)

**Item no.: 897-262**  
Flat cable; halogen-free; 5 x 2.5 mm<sup>2</sup> + 2 x 1.5 mm<sup>2</sup>

[www.wago.com/897-262](http://www.wago.com/897-262)



**Item no.: 897-453**  
Flat cable; halogen-free; 5 x 4 mm<sup>2</sup>

[www.wago.com/897-453](http://www.wago.com/897-453)

### tools



**Item no.: 210-635**  
Operating tool; short version; Blade (6.5 x 1.2) mm

[www.wago.com/210-635](http://www.wago.com/210-635)



**Item no.: 210-636**  
Operating tool with partially insulated shaft; Blade (6.5 x 1.2) mm

[www.wago.com/210-636](http://www.wago.com/210-636)



**Item no.: 210-720**  
Operating tool with partially insulated shaft; Type 2, blade (3.5 x 0.5) mm

[www.wago.com/210-720](http://www.wago.com/210-720)

## Downloads

### Documentation

#### Bid Text

772-267	Sep 22, 2016	DOC	Download
WINSTA IDC		23.6 kB	

Subject to changes.

WAGO Kontakttechnik GmbH & Co. KG  
Hansastr. 27  
32423 Minden  
Phone: +49571 887-0 | Fax: +49571 887-169  
Email: [info.de@wago.com](mailto:info.de@wago.com) | Web: [www.wago.com](http://www.wago.com)

Do you have any questions about our products?  
We are always happy to take your call at +49 (571) 887-44222.