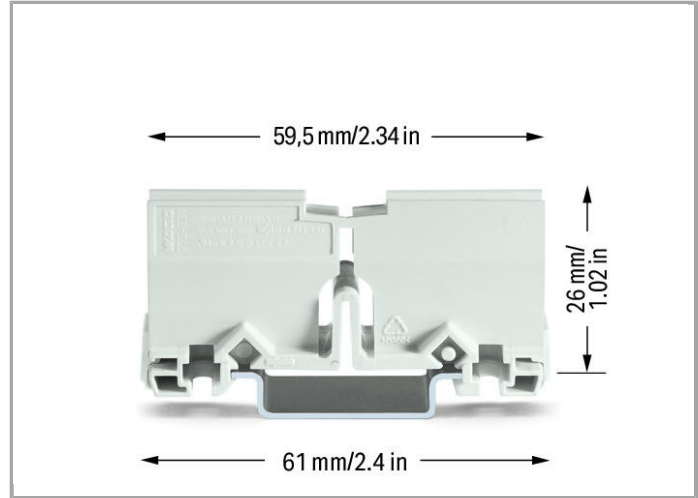
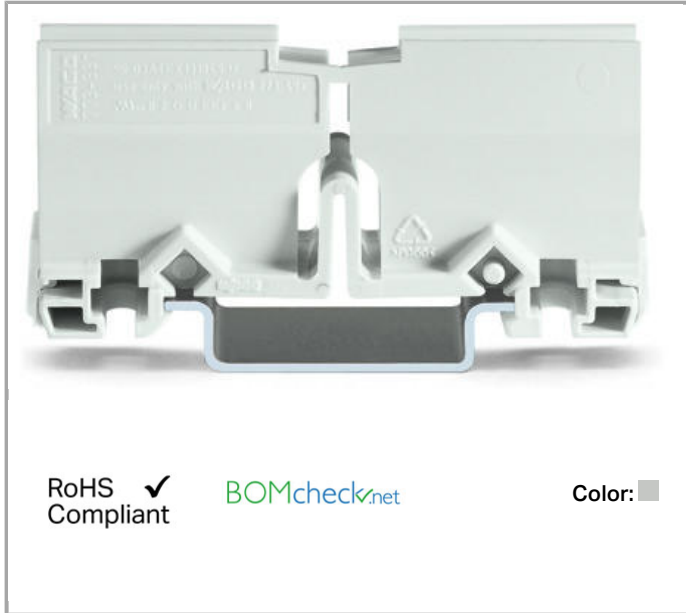


Data sheet | Item number: 773-331

Mounting carrier; for Ex applications; 773 Series - 2.5 mm² / 6 mm²; for DIN-35 rail mounting/screw mounting



www.wago.com/773-331



Data

Geometrical Data

Width	18 mm / 0.709 inch
Height	26 mm / 1.024 inch
Depth	61 mm / 2.402 inch

Material Data

Color	light gray
Fire load	0.262 MJ
Weight	8.73 g

Commercial data

Country of origin	DE
GTIN	4044918526517
Customs Tariff No.	39269097900
Product Group	7 (Push Wire Conn.)

Approvals / Certificates

Ex-Approvals

Logo	Approval	Certificate name
------	----------	------------------



ATEX
UL International Demko A/S

DEMKO 03 ATEX 131845U (II 2 G Ex eIIc Gb)

Compatible products

Marking accessories



Item no.: 210-834
Marking strips; on reel; 5 mm wide; plain; Self-adhesive

www.wago.com/210-834

General accessories



Item no.: 773-492
PUSH WIRE® connector for junction boxes; 2-conductor terminal block; suitable for Ex e II applications

www.wago.com/773-492



Item no.: 773-493
PUSH WIRE® connector for junction boxes; 3-conductor terminal block; suitable for Ex e II applications

www.wago.com/773-493



Item no.: 773-494
PUSH WIRE® connector for junction boxes; 4-conductor terminal block; suitable for Ex e II applications

www.wago.com/773-494



Item no.: 773-496
PUSH WIRE® connector for junction boxes; 6-conductor terminal block; suitable for Ex e II applications

www.wago.com/773-496



Item no.: 773-498
PUSH WIRE® connector for junction boxes; 8-conductor terminal block; suitable for Ex e II applications

www.wago.com/773-498

Downloads

Documentation

Bid Text

773-331	Oct 19, 2017	DOC 24.1 kB	Download
---------	--------------	----------------	----------

smartDATA

CAD data

3D Download 773-331	URL	Download
---------------------	-----	----------

Subject to changes.

WAGO Kontakttechnik GmbH & Co. KG
Hansastr. 27
32423 Minden
Phone: +49571 887-0 | Fax: +49571 887-169
Email: info.de@wago.com | Web: www.wago.com

Do you have any questions about our products?
We are always happy to take your call at +49 (571) 887-44222.