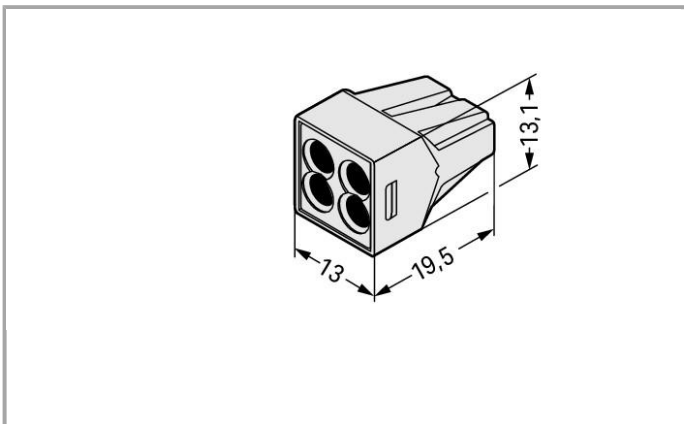


Data sheet | Item number: 773-494

PUSH WIRE® connector for junction boxes; 4-conductor terminal block;  
suitable for Ex e II applications



[www.wago.com/773-494](http://www.wago.com/773-494)



#### Data

##### Electrical data

Rated voltage EN (Ex e II)

550 V

##### Ratings per IEC/EN 60664-1

Rated current

24 A

## Connection data

Connection technology	PUSH WIRE®
Actuation type	Push-in
Connectable conductor materials	Copper
Solid conductor	0.75 ... 2.5 mm <sup>2</sup> / 18 ... 14 AWG
Strip length	12 mm / 0.47 Inch
Total number of connection points	4
Total number of potentials	1
Type of wiring	Side-entry wiring

## Geometrical Data

Width	13 mm / 0.512 inch
Height	13.1 mm / 0.516 inch
Depth	19.5 mm / 0.768 inch

## Material Data

Color	light gray
Cover color	light gray
Flammability class per UL94	V2
Fire load	0.053 MJ
Weight	2.432 g

## Environmental Requirements


Surrounding air (operating) temperature	60 °C
---	-------

## Commercial data

Country of origin	CN
GTIN	4055143026512
Customs Tariff No.	85369010000
Product Group	7 (Push Wire Conn.)

## Approvals / Certificates

### Ex-Approvals

Logo	Approval	Certificate name
	ATEX UL International Demko A/S	DEMKO 03 ATEX 131845U (II 2 G Ex eIIC Gb)

### UL-Approvals



Logo	Approval	Certificate name
	UL UL International Germany GmbH	E69654

## Compatible products

### Mounting adapter



Item no.: 773-331

Mounting carrier; for Ex applications; 773 Series - 2.5 mm<sup>2</sup> / 6 mm<sup>2</sup>; for DIN-35 rail mounting/screw mounting

[www.wago.com/773-331](http://www.wago.com/773-331)

## Downloads

### Documentation

#### Bid Text

773-494	Oct 19, 2017	DOC 25.6 kB	Download
---------	--------------	----------------	----------

## smartDATA

### CAD data

3D Download 773-494	URL	Download
---------------------	-----	----------

Subject to changes.

WAGO Kontakttechnik GmbH & Co. KG  
Hansastr. 27  
32423 Minden  
Phone: +49571 887-0 | Fax: +49571 887-169  
Email: [info.de@wago.com](mailto:info.de@wago.com) | Web: [www.wago.com](http://www.wago.com)

Do you have any questions about our products?  
We are always happy to take your call at +49 (571) 887-44222.