

Data sheet | Item number: 773-498

PUSH WIRE® connector for junction boxes; 8-conductor terminal block;
suitable for Ex e II applications



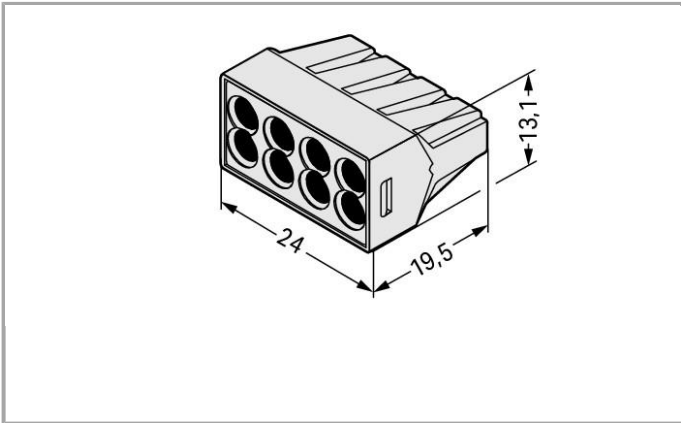
www.wago.com/773-498



RoHS Compliant

[BOMcheck.net](https://www.bomcheck.net)

Color:



Data

Electrical data

Rated voltage EN (Ex e II) 550 V

Ratings per IEC/EN 60664-1

Rated current 24 A

Connection data

Connection technology PUSH WIRE®

Actuation type	Push-in
Connectable conductor materials	Copper
Solid conductor	0.75 ... 2.5 mm ² / 18 ... 14 AWG
Strip length	12 mm / 0.47 Inch
Total number of connection points	8
Total number of potentials	1
Type of wiring	Side-entry wiring

Geometrical Data

Width	24 mm / 0.945 inch
Height	13.1 mm / 0.516 inch
Depth	19.5 mm / 0.768 inch

Material Data

Color	light gray
Cover color	light gray
Flammability class per UL94	V2
Fire load	0.101 MJ
Weight	4.709 g

Environmental Requirements


Surrounding air (operating) temperature	60 °C
---	-------

Commercial data

Country of origin	DE
GTIN	4044918764865
Customs Tariff No.	85369010000
Product Group	7 (Push Wire Conn.)

Approvals / Certificates

Ex-Approvals

Logo	Approval	Certificate name
	ATEX UL International Demko A/S	DEMKO 03 ATEX 131845U (II 2 G Ex eIIc Gb)

UL-Approvals

Logo	Approval	Certificate name
	UL UL International Germany GmbH	E69654



Compatible products

Mounting adapter



Item no.: 773-331

Mounting carrier; for Ex applications; 773 Series - 2.5 mm² / 6 mm²; for DIN-35 rail mounting/screw mounting

www.wago.com/773-331

Downloads

Documentation

Bid Text

773-498	Oct 19, 2017	DOC 25.6 kB	Download
---------	--------------	----------------	----------

smartDATA

CAD data

3D Download 773-498	URL	Download
---------------------	-----	----------

Subject to changes.