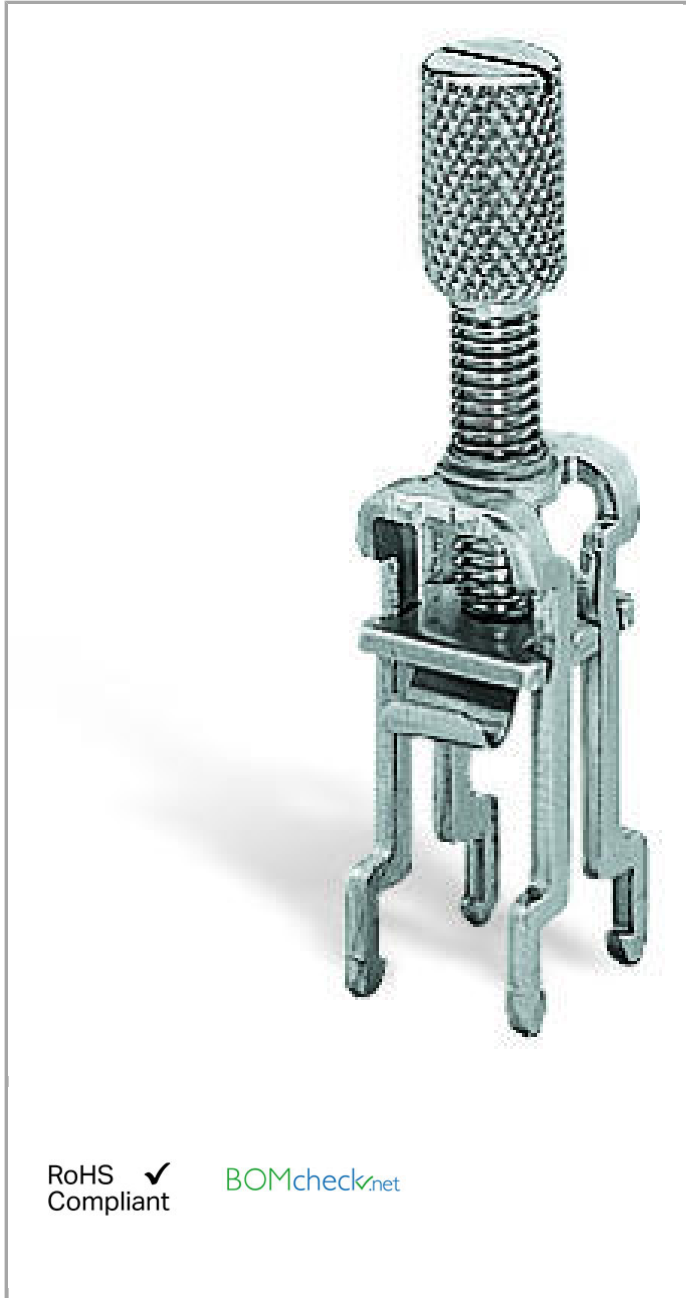


Data sheet | Item number: 790-108

Shield clamping saddle; 11 mm wide; diameter of compatible conductor

[www.wago.com/790-108](http://www.wago.com/790-108)



## Data

### Technical Data

Main product function

Shield clamping saddles

Safety information 1

Note: Not suitable for connecting ground conductors!

## Geometrical Data

|       |                    |
|-------|--------------------|
| Width | 11 mm / 0.433 inch |
|-------|--------------------|

## Material Data

|        |      |
|--------|------|
| Weight | 12 g |
|--------|------|

## Commercial data

|                    |                                |
|--------------------|--------------------------------|
| Country of origin  | DE                             |
| GTIN               | 4017332356954                  |
| Customs Tariff No. | 85369010000                    |
| Product Group      | 2 (Terminal Block Accessories) |

## Compatible products

### Carrier rail



**Item no.: 790-145**  
Carrier rail; with special perforations; 1000 mm long; tin-plated

[www.wago.com/790-145](http://www.wago.com/790-145)

### N-busbar



**Item no.: 210-133**  
Busbar; tin-plated; 1000 mm long; Cu 10 mm x 3 mm

[www.wago.com/210-133](http://www.wago.com/210-133)



**Item no.: 790-133**  
Busbar; tin-plated; 30 mm long; Cu 10 mm x 3 mm

[www.wago.com/790-133](http://www.wago.com/790-133)



**Item no.: 790-134**  
Busbar; tin-plated; 50 mm long; Cu 10 mm x 3 mm

[www.wago.com/790-134](http://www.wago.com/790-134)



**Item no.: 790-190**  
U-shaped busbar; Cu 10 mm x 3 mm; for 5 I/O; suitable for 750 Series I/O modules

[www.wago.com/790-190](http://www.wago.com/790-190)



**Item no.: 790-191**  
U-shaped busbar; Cu 10 mm x 3 mm; for 8 I/O; suitable for 750 Series I/O modules

[www.wago.com/790-191](http://www.wago.com/790-191)



**Item no.: 790-192**  
U-shaped busbar; Cu 10 mm x 3 mm; for 5 I/O; suitable for 750 Series I/O modules

[www.wago.com/790-192](http://www.wago.com/790-192)



**Item no.: 790-193**  
U-shaped busbar; Cu 10 mm x 3 mm; for 8 I/O; suitable for 750 Series I/O modules

[www.wago.com/790-193](http://www.wago.com/790-193)

### General accessories



**Item no.: 790-100**  
Isolated mounting carrier; for busbar with screw M4 x 8 mm

[www.wago.com/790-100](http://www.wago.com/790-100)



**Item no.: 790-101**  
Isolated mounting carrier; for busbar with sheet metal screw (3.5 x 9) mm

[www.wago.com/790-101](http://www.wago.com/790-101)

### shield connection



**Item no.: 790-110**

Carrier with grounding foot; parallel to carrier rail; 15 mm long; Cu 10 mm x 3 mm; suitable for 790-108 shield clamping saddles

[www.wago.com/790-110](http://www.wago.com/790-110)



**Item no.: 790-112**

Carrier with grounding foot; parallel to carrier rail; 25 mm long; Cu 10 mm x 3 mm; suitable for 790-108 and 790-116 [www.wago.com/790-112](http://www.wago.com/790-112)



**Item no.: 790-113**

Carrier with grounding foot; 90° to carrier rail; 45 mm long; Cu 10 mm x 3 mm; suitable for 790 Series shield clamping saddles [www.wago.com/790-113](http://www.wago.com/790-113)



**Item no.: 790-114**

Carrier with grounding foot; parallel to carrier rail; 45 mm long; Cu 10 mm x 3 mm; suitable for 790 Series shield clamping saddles and 791 Series shield clamps [www.wago.com/790-114](http://www.wago.com/790-114)



**Item no.: 790-115**

Carrier with 2 grounding feet; parallel to carrier rail; 125 mm long; Cu 10 mm x 3 mm

[www.wago.com/790-115](http://www.wago.com/790-115)

**Downloads**

**Documentation**

**Bid Text**

|         |              |                |          |
|---------|--------------|----------------|----------|
| 790-108 | Oct 19, 2017 | DOC<br>23.6 kB | Download |
|---------|--------------|----------------|----------|

**smartDATA**

**CAD data**

|                     |     |          |
|---------------------|-----|----------|
| 3D Download 790-108 | URL | Download |
|---------------------|-----|----------|

Subject to changes.