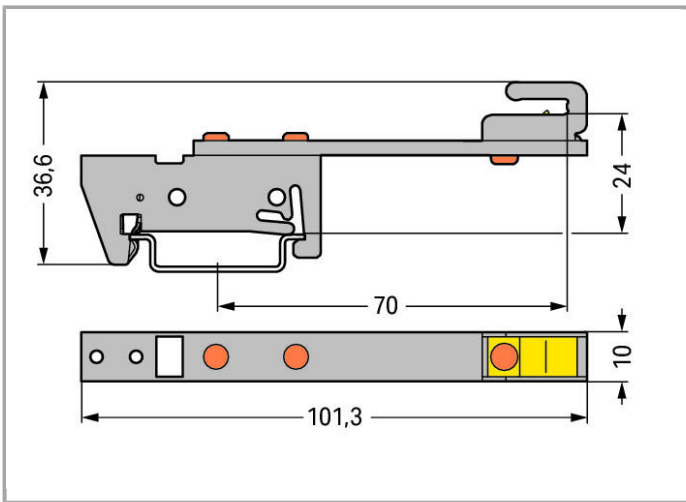
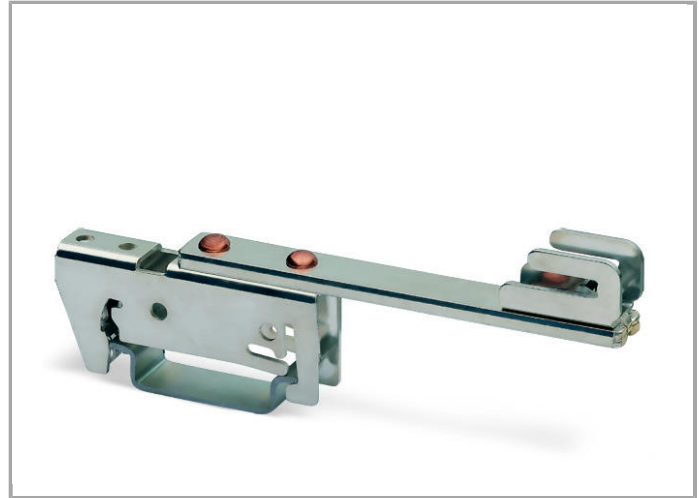


Data sheet | Item number: 790-300

Busbar carrier; for busbars Cu 10 mm x 3 mm; single side, straight; for DIN 35 rail



www.wago.com/790-300



Data

Technical Data

Main product function

Shield termination

Material Data

Weight

37.5 g

Commercial data

Country of origin

DE

GTIN

4045454415891

Customs Tariff No.



39269097900

Product Group

2 (Terminal Block Accessories)

Compatible products

N-busbar

	Item no.: 210-133 Busbar; tin-plated; 1000 mm long; Cu 10 mm x 3 mm	www.wago.com/210-133
	Item no.: 790-134 Busbar; tin-plated; 50 mm long; Cu 10 mm x 3 mm	www.wago.com/790-134

Downloads

Documentation

Bid Text

790-300	Oct 19, 2017	DOC 23.6 kB	Download
---------	--------------	----------------	----------

smartDATA

CAD data

3D Download 790-300	URL	Download
---------------------	-----	----------

Subject to changes.