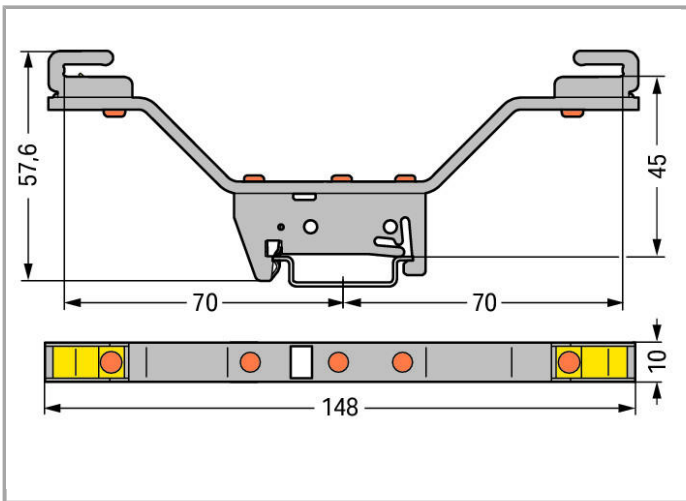
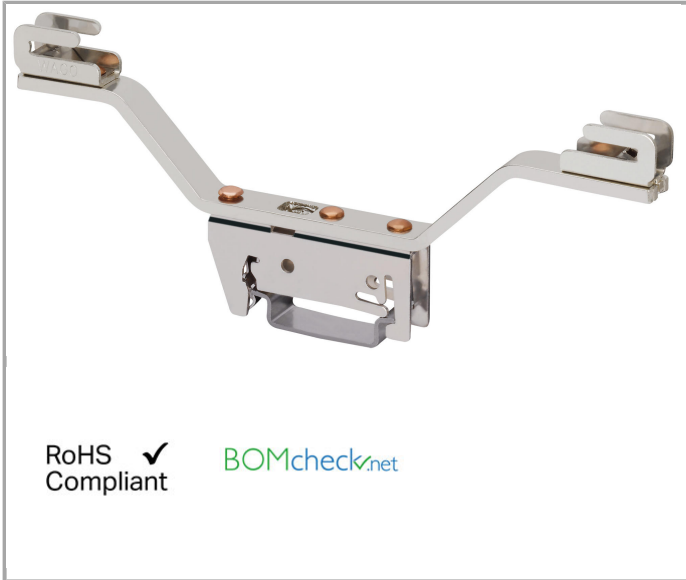


Data sheet | Item number: 790-311

Busbar carrier; for busbars Cu 10 mm x 3 mm; both sides, angled; for DIN 35 rail



www.wago.com/790-311



Data

Technical Data

Main product function

Shield termination

Material Data

Weight

59.6 g

Commercial data

Country of origin



DE



GTIN	4045454897871
Customs Tariff No.	39269097900
Product Group	2 (Terminal Block Accessories)

Compatible products

N-busbar

	Item no.: 210-133 Busbar; tin-plated; 1000 mm long; Cu 10 mm x 3 mm	www.wago.com/210-133
	Item no.: 790-134 Busbar; tin-plated; 50 mm long; Cu 10 mm x 3 mm	www.wago.com/790-134

Downloads

Documentation

Bid Text

790-311	Oct 19, 2017	DOC 23.6 kB	Download
---------	--------------	----------------	----------

smartDATA

CAD data

3D Download 790-311	URL	Download
---------------------	-----	----------

Subject to changes.

WAGO Kontakttechnik GmbH & Co. KG
Hansastr. 27
32423 Minden
Phone: +49571 887-0 | Fax: +49571 887-169
Email: info.de@wago.com | Web: www.wago.com

Do you have any questions about our products?
We are always happy to take your call at +49 (571) 887-44222.