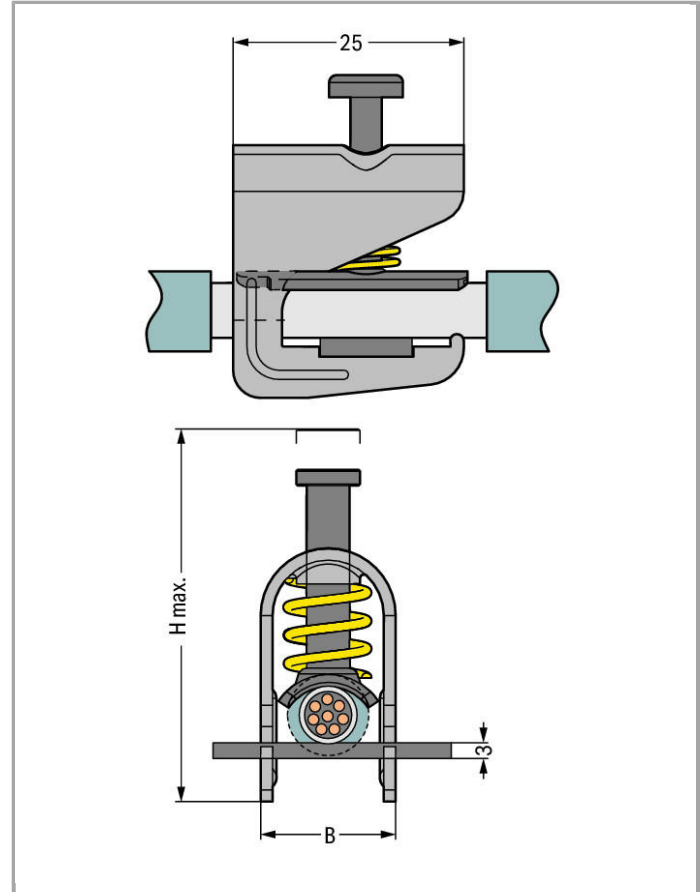


Data sheet | Item number: 791-107

Shield clamp; diameter of compatible conductor; 1.5 mm to 6.5 mm; H max.

40 mm; 10 mm wide

www.wago.com/791-107



RoHS Compliant [BOMcheck.net](https://www.bomcheck.net)

Data

Technical Data

Main product function

Shield termination

Safety information 1

Note: Not suitable for connecting ground conductors!

Material Data

Weight

12.8g

Commercial data

Country of origin	CH
GTIN	4045454007607
Customs Tariff No.	85369010000
Product Group	2 (Terminal Block Accessories)

Compatible products

N-busbar

	Item no.: 210-133 Busbar; tin-plated; 1000 mm long; Cu 10 mm x 3 mm	www.wago.com/210-133
	Item no.: 790-133 Busbar; tin-plated; 30 mm long; Cu 10 mm x 3 mm	www.wago.com/790-133
	Item no.: 790-134 Busbar; tin-plated; 50 mm long; Cu 10 mm x 3 mm	www.wago.com/790-134

Downloads

Documentation

Bid Text

791-107	Oct 19, 2017	DOC 24.1 kB	Download
---------	--------------	----------------	----------

smartDATA

CAD data

3D Download 791-107	URL	Download
---------------------	-----	----------

Subject to changes.