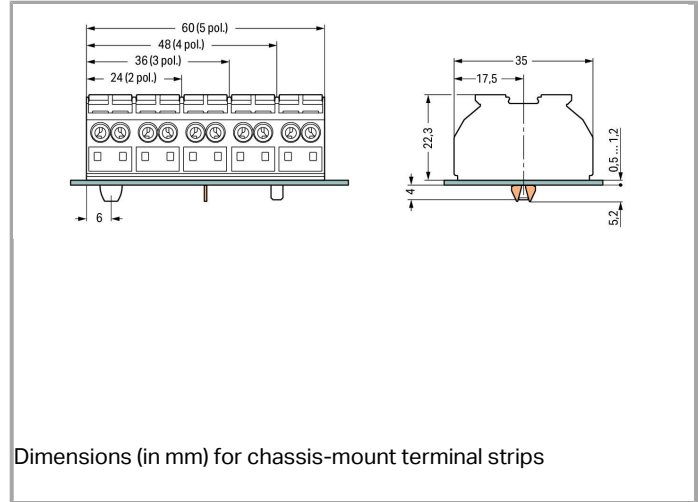


Data sheet | Item number: 862-1615/999-950

4-conductor Ex e II chassis-mount terminal strip; Snap-in feet at pos. 1+3+5; PE-N-L1-L2-L3; without ground contact; suitable for Ex e II applications; 5-pole



www.wago.com/862-1615/999-950



RoHS Compliant

[BOMcheck.net](https://www.bomcheck.net)

Color:

Data

Electrical data

Rated voltage EN (Ex e II) 440 V

Ratings per IEC/EN 60664-1

Rated current 28 A

Connection data

| | |
|--|---|
| Connection technology | Push-in CAGE CLAMP® |
| Actuation type | Operating tool |
| Connectable conductor materials | Copper Aluminum |
| Solid conductor | 0.5 ... 4 mm ² / 20 ... 12 AWG |
| Solid conductor, push-in termination | 0.75 ... 4 mm ² / 18 ... 12 AWG |
| Stranded conductor | 0.5 ... 4 mm ² / 20 ... 12 AWG |
| Fine-stranded conductor | 0.5 ... 4 mm ² / 20 ... 12 AWG |
| Fine-stranded conductor with ferrule with plastic collar | 0.5 ... 2.5 mm ² / 20 ... 12 AWG |

| | |
|---|-----------------------------------|
| Fine-stranded conductor with ferrule, push-in termination, from | 0.75 mm ² / 18 AWG |
| Strip length | 10 ... 11 mm / 0.39 ... 0.43 Inch |
| No. of poles | 5 |
| Total number of connection points | 20 |
| Total number of potentials | 5 |
| Type of wiring | Side-entry wiring |

Geometrical Data

| | |
|-------------------------|----------------------|
| Pin spacing | 12 mm / 0.472 inch |
| Width | 60 mm / 2.362 inch |
| Height from the surface | 22.3 mm / 0.878 inch |
| Depth | 35 mm / 1.378 inch |

Mechanical data

| | |
|---------------|-----------------------|
| Mounting type | Snap-in mounting foot |
| Marking | PE-N-L1-L2-L3 |

Material Data



| | |
|-----------|----------|
| Color | white |
| Fire load | 0.656 MJ |
| Weight | 34.253 g |

Commercial data

| | |
|--------------------|---------------|
| Packaging type | bag |
| Country of origin | DE |
| GTIN | 4045454803636 |
| Customs Tariff No. | 85369010000 |

Approvals / Certificates

Ex-Approvals

| Logo | Approval | Certificate name |
|--|--|-------------------------------------|
|  | ATEX Physikalisch Technische Bundesanstalt (PTB) | PTB 03 ATEX 1189 U (II 2 G Ex e II) |
|  | IECEx Physikalisch Technische Bundesanstalt | IECEx PTB 05.0003 U |

Country specific Approvals

| Logo | Approval | Certificate name |
|------|----------|------------------|
|------|----------|------------------|



CSA
DEKRA Certification B.V.



1505030

Ship Approvals

| Logo | Approval | Certificate name |
|--|-----------------------|------------------|
|  | LR Lloyds Register | 91/20112 (E9) |

Compatible products


Marking accessories

| | | |
|--|--|--|
|  | Item no.: 709-177 Marking strips; on reel; 7.5 mm wide; not stretchable; plain; snap-on type | www.wago.com/709-177 |
|  | Item no.: 709-178 Marking strips; on reel; 7.5 mm wide; not stretchable; plain; snap-on type | www.wago.com/709-178 |

ferrule

| | | |
|---|--|--|
|  | Item no.: 216-141 Ferrule; Sleeve for 0.5 mm ² / AWG 22; uninsulated; electro-tin plated; electrolytic copper; gastight crimped; acc. to DIN 46228, Part 1/08.92 | www.wago.com/216-141 |
|  | Item no.: 216-142 Ferrule; Sleeve for 0.75 mm ² / AWG 20; uninsulated; electro-tin plated; electrolytic copper; gastight crimped; acc. to DIN 46228, Part 1/08.92 | www.wago.com/216-142 |
|  | Item no.: 216-143 Ferrule; Sleeve for 1 mm ² / AWG 18; uninsulated; electro-tin plated; electrolytic copper; gastight crimped; acc. to DIN 46228, Part 1/08.92 | www.wago.com/216-143 |
|  | Item no.: 216-144 Ferrule; Sleeve for 1.5 mm ² / AWG 16; uninsulated; electro-tin plated; electrolytic copper; gastight crimped; acc. to DIN 46228, Part 1/08.92 | www.wago.com/216-144 |
|  | Item no.: 216-241 Ferrule; Sleeve for 0.5 mm ² / AWG 22; insulated; electro-tin plated; electrolytic copper; gastight crimped; acc. to DIN 46228, Part 4/09.90 | www.wago.com/216-241 |
|  | Item no.: 216-242 Ferrule; Sleeve for 0.75 mm ² / AWG 20; insulated; electro-tin plated; electrolytic copper; gastight crimped; acc. to DIN 46228, Part 4/09.90 | www.wago.com/216-242 |
|  | Item no.: 216-243 Ferrule; Sleeve for 1 mm ² / AWG 18; insulated; electro-tin plated; electrolytic copper; gastight crimped; acc. to DIN 46228, Part 4/09.90 | www.wago.com/216-243 |
|  | Item no.: 216-244 Ferrule; Sleeve for 1.5 mm ² / AWG 16; insulated; electro-tin plated; electrolytic copper; gastight crimped; acc. to DIN 46228, Part 4/09.90 | www.wago.com/216-244 |

tools

| | | |
|--|---|--|
|  | Item no.: 210-720 Operating tool with partially insulated shaft; Type 2, blade (3.5 x 0.5) mm | www.wago.com/210-720 |
|--|---|--|

check



Item no.: 210-136
Test plug; 2 mm Ø; with 500 mm cable

www.wago.com/210-136



Item no.: 210-137
Test plug; 2.3 mm Ø; with 500 mm cable

www.wago.com/210-137

Jumper



Item no.: 862-482
Comb-style jumper bar; for conductor entry; insulated; terminated conductor entry

www.wago.com/862-482

Downloads

Documentation

Bid Text

| | | | |
|------------------|--------------|----------------|----------|
| 862-1615/999-950 | Oct 19, 2017 | DOC 25.6 kB | Download |
|------------------|--------------|----------------|----------|

smartDATA

CAD data

| | | |
|------------------------------|-----|----------|
| 3D Download 862-1615/999-950 | URL | Download |
|------------------------------|-----|----------|

Subject to changes.