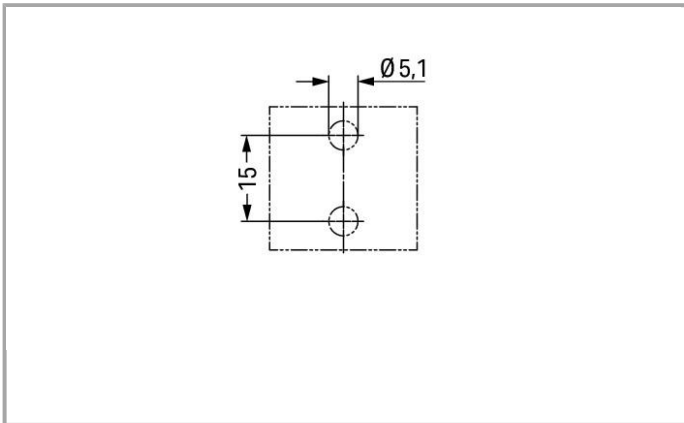
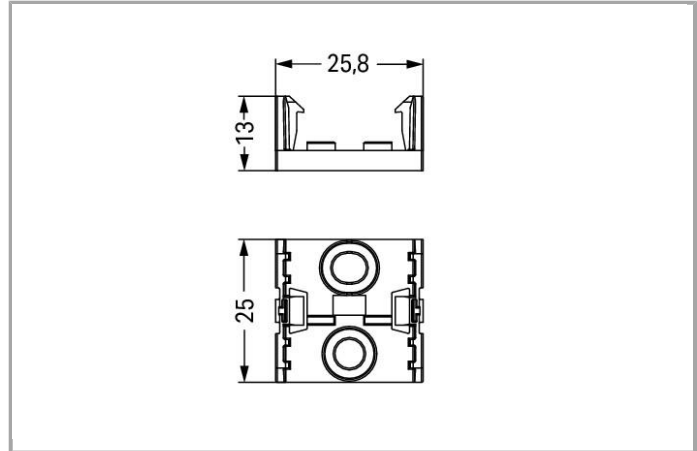
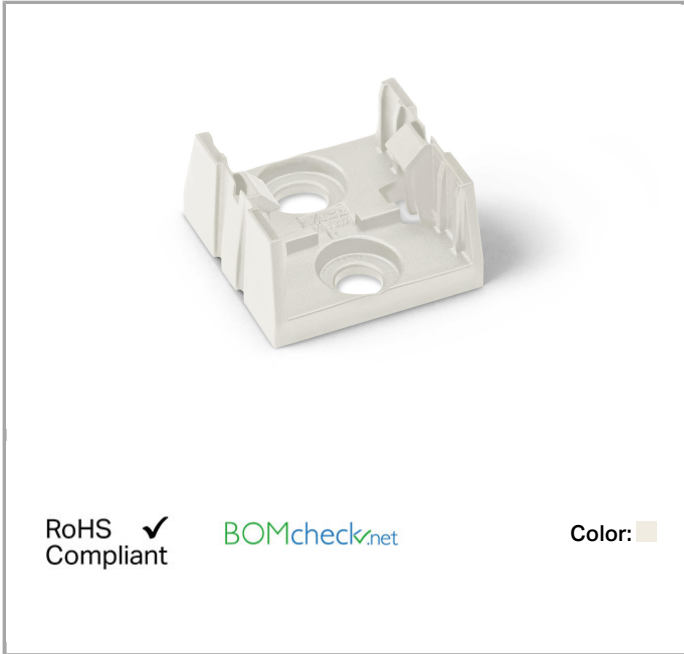


Data sheet | Item number: 890-674

Mounting plate; for h-distribution connectors; 4-pole

www.wago.com/890-674



Data

Electrical data

Ratings per IEC/EN 60664-1

Legend (ratings)

(III / 3) ≙ Overvoltage category III / Pollution degree 3

Mechanical data

Mounting type

Screw mounting



Material Data

Color	white
Insulating material	Polyamide 66 (PA 66)
Flammability class per UL94	V0
Fire load	0.064 MJ
Weight	2.14 g

Environmental Requirements

Surrounding air (operating) temperature	-35 ... 85 °C
---	---------------

Commercial data

Country of origin	DE
GTIN	4050821265641
Customs Tariff No.	39269097900
Product Group	20 (WINSTA)

Downloads

Documentation

Bid Text

890-674	Jan 29, 2016	DOC 22.0 kB	Download
---------	--------------	----------------	----------

smartDATA

CAD data

3D Download 890-674	URL	Download
---------------------	-----	----------

Subject to changes.