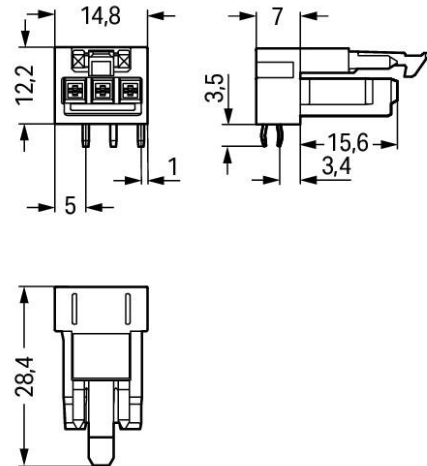
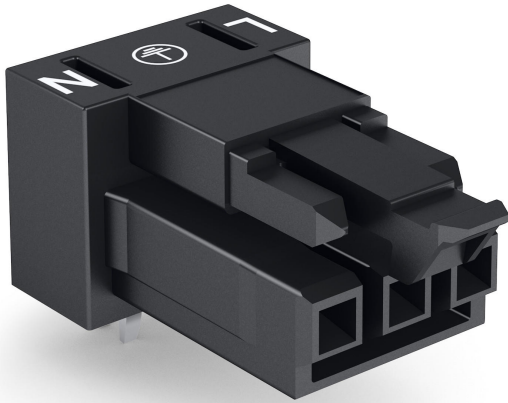


Data sheet | Item number: 890-803/011-000

Socket for PCBs; angled; 3-pole; Cod. A

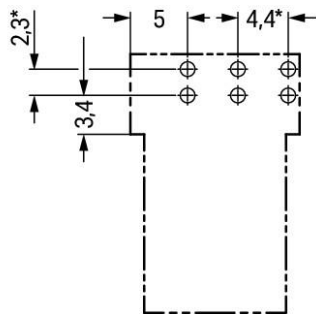
www.wago.com/890-803/011-000



RoHS Compliant

[BOMcheck.net](https://www.bomcheck.net)

Color: ■



* ± 0,05 mm

Bohrlochdurchmesser: 1,3^{+0,1} mm

Item description

Note:



All connectors for mounted installations (snap-in versions for lighting fixtures or devices, all types of PCB and distribution connectors) are factory-equipped with locking levers to ensure plugs and sockets are securely locked. Additional locking levers are only required for flying leads (plug/socket).

Data

Electrical data

Ratings per IEC/EN 60664-1

Rated voltage (III / 3)	250 V
Rated impulse voltage (III / 3)	4 kV
Rated current	16 A
Legend (ratings)	(III / 3) ≙ Overvoltage category III / Pollution degree 3

Connection data

No. of poles	3
Total number of potentials	3
Number of levels	1

Geometrical Data

Pin spacing	4.4 mm (0.173 inch)
Width	14.8 mm / 0.583 inch
Height	15.7 mm / 0.618 inch
Height from the surface	12.2 mm / 0.48 inch
Depth	28.4 mm / 1.118 inch
Solder pin length	3.5 mm
Solder pin dimensions	1 x 0.8 mm
Drilled hole diameter (tolerance)	1.3 ^(+0.1 ... -0.1) mm

Mechanical data

Coding	A
Mating force of a plug-in connection	approx. 20 ... 70 N (depending on pole number)
Retention force of a plug-in connection	when locked: > 80N
Unmating force of a plug-in connection	when unlocked: approx. 20 ... 70 N (depending on pole number)
Design	angled
Marking	L N
Degree of protection	IP20
Potential marking	L N



Plug connection

Contact type (pluggable connector)	Female connector/socket
Connector connection type	for PCBs
Mismating protection	Yes
Mating direction to the PCB	0°
Locking of plug-in connection	locking lever
Locking lever	yes

PCB contact

PCB contact	THT
Solder pin arrangement	2 in-line solder pins/pole
Number of solder pins per potential	2

Material Data

Color	black
Insulating material	Polyamide 66 (PA 66)
Flammability class per UL94	V0
Contact material	Copper or copper alloy, surface-treated
Fire load	0.062 MJ
Weight	3.5 g

Environmental Requirements

Surrounding air (operating) temperature	-35 ... 85 °C
---	---------------

Commercial data

Country of origin	DE
GTIN	4055143370035
Customs Tariff No.	85366990990

Approvals / Certificates

Country specific Approvals

Logo	Approval	Certificate name
	CCA DEKRA Certification B.V.	NL-49482
	CCA DEKRA Certification B.V.	NL-35632
	CCA DEKRA Certification B.V.	NL-49482
	CCA	2182129.01

DEKRA Certification B.V.



Ship Approvals

Logo	Approval	Certificate name
	ABS American Bureau of Shipping	14-HG1241513-PDA

UL-Approvals

Logo	Approval	Certificate name
	UL UL International Germany GmbH	E45171

Downloads

smartDATA

CAD data

3D Download 890-803/011-000	URL	Download
-----------------------------	---------------------	--------------------------

Subject to changes.