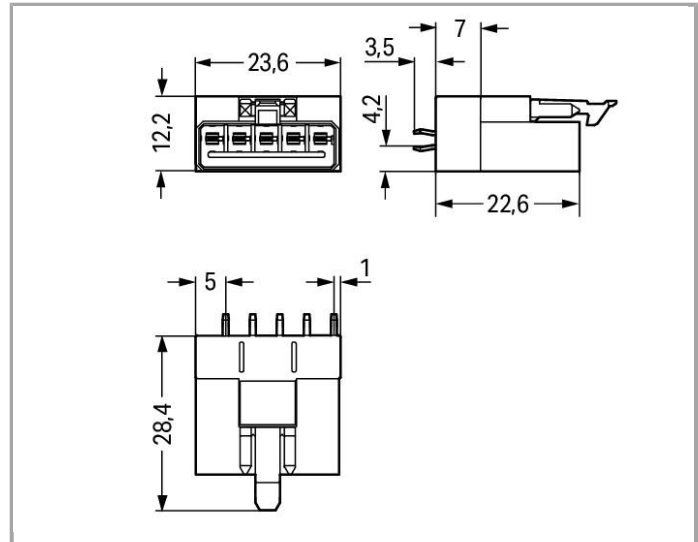


Data sheet | Item number: 890-815
Plug for PCBs; straight; 5-pole; Cod. A

www.wago.com/890-815



Item description

Note:

All connectors for mounted installations (snap-in versions for lighting fixtures or devices, all types of PCB and distribution connectors) are factory-equipped with locking levers to ensure plugs and sockets are securely locked. Additional locking levers are only required for flying leads (plug /socket).

Data

Electrical data



Ratings per IEC/EN 60664-1

| | |
|---------------------------------|---|
| Rated voltage (III / 3) | 250 V |
| Rated impulse voltage (III / 3) | 4 kV |
| Rated current | 13 A |
| Legend (ratings) | (III / 3) $\hat{=}$ Overvoltage category III / Pollution degree 3 |

Connection data

| | |
|----------------------------|---|
| No. of poles | 5 |
| Total number of potentials | 5 |
| Number of levels | 1 |

Geometrical Data

| | |
|-----------------------------------|------------------------------------|
| Pin spacing | 4.4 mm (0.173 inch) |
| Width | 23.6 mm / 0.929 inch |
| Height | 31.9 mm / 1.256 inch |
| Height from the surface | 28.4 mm / 1.118 inch |
| Depth | 12.2 mm / 0.48 inch |
| Solder pin length | 3.5 mm |
| Solder pin dimensions | 1 x 0.8 mm |
| Drilled hole diameter (tolerance) | 1.3 ^(+0.1 ... - 0.1) mm |

Mechanical data

| | |
|---|---|
| Coding | A |
| Mating force of a plug-in connection | approx. 20 ... 70 N (depending on pole number) |
| Retention force of a plug-in connection | when locked: > 80N |
| Unmating force of a plug-in connection | when unlocked: approx. 20 ... 70 N (depending on pole number) |
| Design | straight |
| Marking | N 1 2 3 |
| Degree of protection | IP20 |
| Potential marking | N 1 2 3 |

Plug connection

| | |
|------------------------------------|---------------------|
| Contact type (pluggable connector) | Male connector/plug |
| Connector connection type | for PCBs |
| Mismating protection | Yes |
| Mating direction to the PCB | 90° |
| Locking of plug-in connection | locking lever |
| Locking lever | yes |

PCB contact

| | |
|-------------------------------------|----------------------------|
| PCB contact | THT |
| Solder pin arrangement | 2 in-line solder pins/pole |
| Number of solder pins per potential | 2 |

Material Data

| | |
|-----------------------------|---|
| Color | black |
| Insulating material | Polyamide 66 (PA 66) |
| Flammability class per UL94 | V0 |
| Contact material | Copper or copper alloy, surface-treated |
| Fire load | 0.091 MJ |
| Weight | 4.777 g |

Environmental Requirements


| | |
|---|---------------|
| Surrounding air (operating) temperature | -35 ... 85 °C |
|---|---------------|

Commercial data


| | |
|--------------------|---------------|
| Country of origin | DE |
| GTIN | 4050821695523 |
| Customs Tariff No. | 39269097900 |
| Product Group | 20 (WINSTA) |

Approvals / Certificates

Country specific Approvals

| Logo | Approval | Certificate name |
|--|---------------------------------|------------------|
| | CCA DEKRA Certification B.V. | NL-49482 |
|  | CCA DEKRA Certification B.V. | 2182129.01 |
| | CCA DEKRA Certification B.V. | NL-35632 |
| | CCA DEKRA Certification B.V. | NL-49482 |

Ship Approvals

| Logo | Approval | Certificate name |
|--|------------------------------------|------------------|
|  | ABS American Bureau of Shipping | 14-HG1241513-PDA |



UL-Approvals

| Logo | Approval | Certificate name |
|--|-------------------------------------|------------------|
|  | UL UL International Germany GmbH | E45171 |

Downloads

smartDATA

CAD data

| 3D Download 890-815 | URL | Download |
|---------------------|-----|----------|
|---------------------|-----|----------|

Subject to changes.

WAGO Kontakttechnik GmbH & Co. KG
Hansastr. 27
32423 Minden
Phone: +49571 887-0 | Fax: +49571 887-169
Email: info.de@wago.com | Web: www.wago.com

Do you have any questions about our products?
We are always happy to take your call at +49 (571) 887-44222.