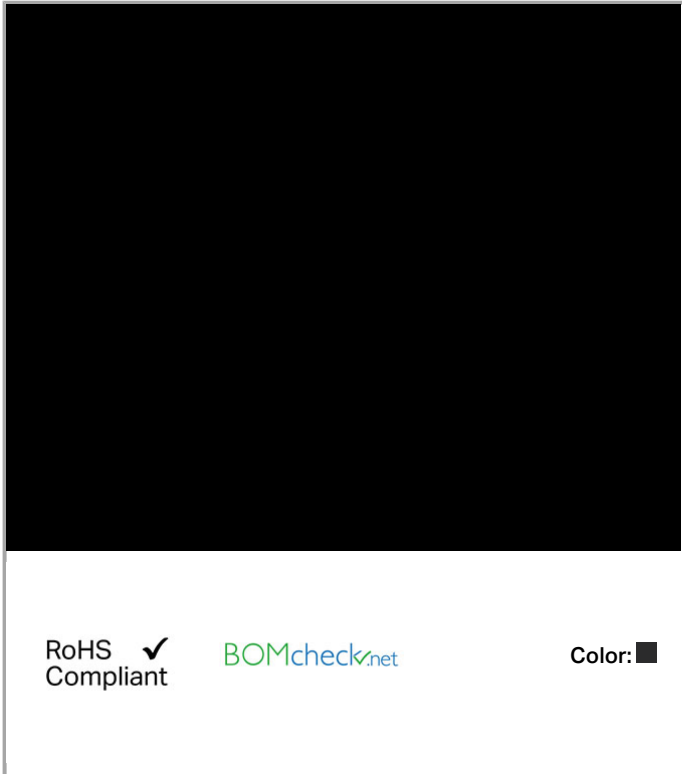


Data sheet | Item number: 895-1651

Supply module; for flat cable 5 x 16 mm; with screw-type connection; also suitable as tap; tightening torque 3.5 nm; phillips no. 2 screwdriver



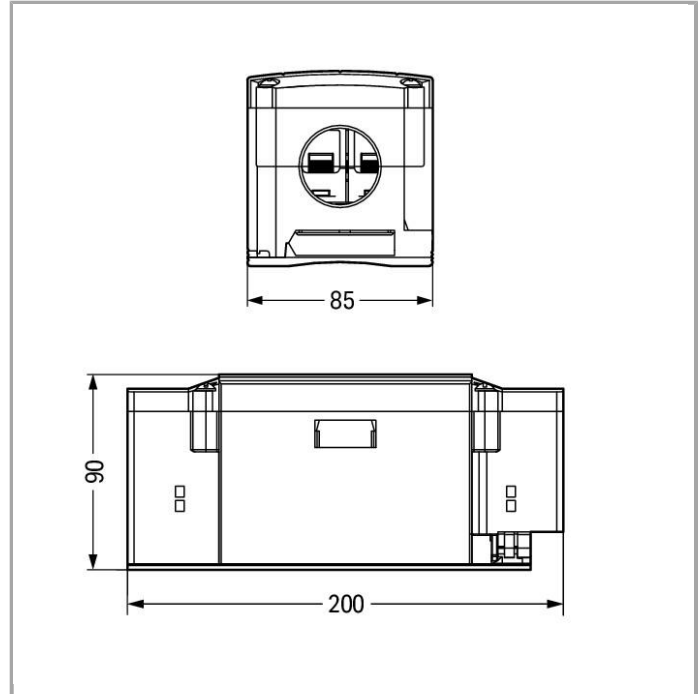
www.wago.com/895-1651



RoHS Compliant

BOMcheck.net

Color:



Data

Electrical data

Ratings per IEC/EN 60664-1

Rated voltage (III / 3)	690 V
Rated impulse voltage (III / 3)	8 kV
Rated current	76 A
Legend (ratings)	(III / 3) ≙ Overvoltage category III / Pollution degree 3

Connection data

Connection technology	Screw clamp connection
Actuation type	Operating tool
Connection technology 2	IDC connection
Total number of connection points	5
Total number of potentials	5



Geometrical Data

Width	85 mm / 3.346 inch
Height	90 mm / 3.543 inch
Depth	200 mm / 7.874 inch

Mechanical data

Mating force of a plug-in connection	approx. 30–70N (depending on number of poles)
Unmating force of a plug-in connection	when unlocked: approx. 15–20N
Degree of protection	IP 20 without cable gland/filler plug / IP 65 with cable gland/filler plug

Plug connection

Mismating protection	Yes
----------------------	-----

Material Data

Color	black
Insulating material	Polyamide 66 (PA 66)
Flammability class per UL94	V0
Contact material	Copper or copper alloy, surface-treated
Fire load	11.88 MJ
Weight	872.9 g

Environmental Requirements

Surrounding air (operating) temperature	-35 ... 85 °C
---	---------------

Commercial data

Country of origin	CH
GTIN	4045454006389
Customs Tariff No.	85369010000
Product Group	20 (WINSTA)

Compatible products

wiring and connectors

Item no.: 897-1651 Flat cable; PVC insulated; Phillips no. 1 screwdriver; 3L + N + PE	www.wago.com/897-1651
Item no.: 897-1652 Flat cable; halogen-free; Phillips no. 1 screwdriver; 3L + N + PE	www.wago.com/897-1652



Downloads

Documentation

Bid Text

895-1651	Sep 22, 2016	DOC	Download
WINSTA® IDC		23.0 kB	

Subject to changes.