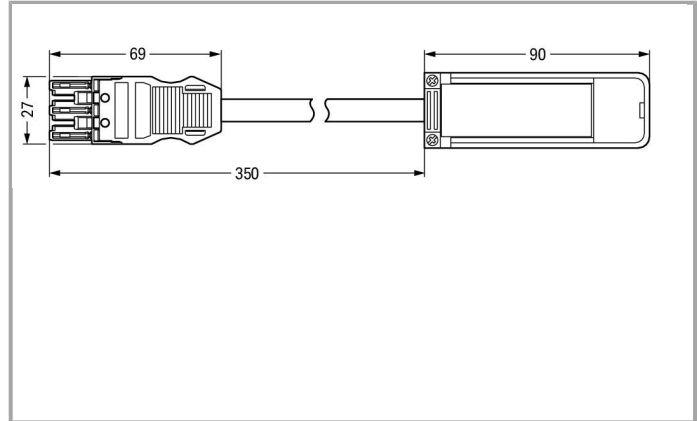
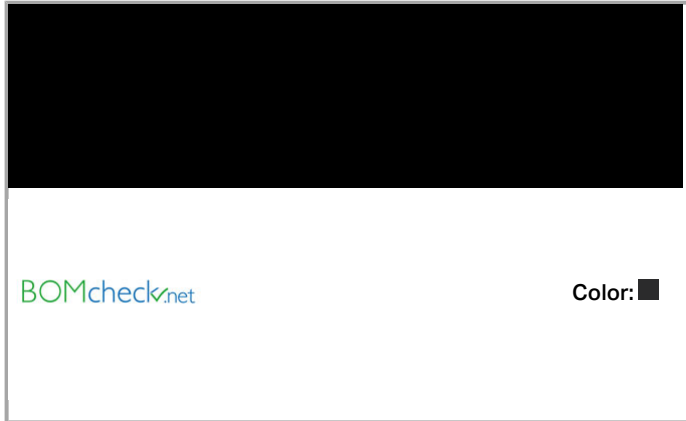


Data sheet | Item number: 896-233

Tap-off module; fitted with WINSTA® socket; with 35 cm H05VV-F cable, 3 x 2.5 mm; Coding A



www.wago.com/896-233



Item description

Note:

Cables with different fire load upon request

Data

Electrical data

Ratings per IEC/EN 60664-1

Legend (ratings)

(III / 3) ≙ Overvoltage category III / Pollution degree 3

Connection data

Ground function

with preceding GND contact

Durchmesser der Mantelleitung

9.2 ... 11.4 mm

Geometrical Data

Total length

0.44 m

Mechanical data

Coding

A

Mating force of a plug-in connection

approx. 30 ... 70 N (depending on pole number)

Retention force of a plug-in connection

when locked: > 80N

Unmating force of a plug-in connection

when unlocked: approx. 30 ... 70 N (depending on pole number)

Marking

L N

Degree of protection

IP20



Plug connection

Mismating protection	Yes
Locking of plug-in connection	locking lever

Material Data

Color	black
Insulating material	Polyamide 66 (PA 66)
Flammability class per UL94	V0
Reaction to fire class per EN 50575	E _{ca}
Contact material	Copper or copper alloy, surface-treated
Fire load	2.767 MJ
Weight	161.356 g

Environmental Requirements

Surrounding air (operating) temperature	-35 ... 85 °C
---	---------------

Commercial data

Country of origin	DE
GTIN	4045454004279
Customs Tariff No.	85366990990
Product Group	20 (WINSTA)

Compatible products

wiring and connectors

Item no.: 897-231 Flat cable; PVC insulated; 3 x 2.5 mm ² ; 3L + N + PE	www.wago.com/897-231
Item no.: 897-232 Flat cable; halogen-free; 3 x 2.5 mm ² ; 3L + N + PE	www.wago.com/897-232

Subject to changes.