


Product information

0986 EFC 651

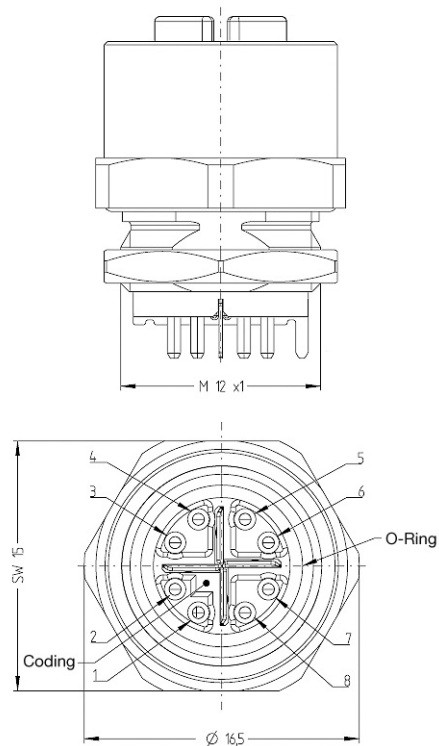
Industrial Connecting Solutions:I/O Modules:I/O Modules Activ - Stand Alone:Industrial Ethernet:Accessories:Receptacle Connectors:0986 EFC 651

<http://e-catalog.hirschmann.com/link/57078-24228-255441-219791-247858-277551-247868-277355/en/conf/ui/istate>

Name	0986 EFC 651
	
	Receptacle connector, M12 female connector for front mounting, assembling with Printed contacts, 8 poles X coded
Delivery informations	
Availability	available
Product description	
Type	0986 EFC 651
Order No.	on request / auf Anfrage
Description	Receptacle connector, M12 female connector for front mounting, assembling with Printed contacts, 8 poles X coded
Note	The application of these products in harsh environments should always be checked before use.
Number of contacts	8
Product characteristics	EMC resistance
Classification	
Belden class	Receptacle Connectors
Belden brand	Lumberg-Automation
Mechanical data	
Type of plug-in contact	Female connector
Thread	M12
Design of electrical connection	print connection
Environmental conditions	
Environmental temperature	-25 °C ... 85 °C
Degree of protection (IP), mounted	IP67
Pollution degree	3
Materials	
Housing material / Molded body	CuZn, nickel-plated
Contact bearer material	PA
Contact material	CuZn
Contact material - Surface refinement	gold-plated
Knurled screw / nut material	CuZn, nickel-plated
Sealing material	FKM
Approvals	
RoHS 2002/95/EG compliant	yes
Electrical data	
Rated current I _n	0.5 A at 40°C
Nominal voltage	48 V
Insulation resistance	> 1 GΩ

Picture

Drawing



Belden Deutschland GmbH
Im Gewerbepark 2
58579 Schalksmühle
Germany
Phone: +49 7127/14-1806
E-Mail: icos-sales@belden.com

The information published in the websites has been compiled as carefully as possible. It is subject to alteration without notice in technical as well as in price-related/commercial respect. The complete information and data were available on user documentation. Mandatory information can only be obtained by a concrete query.