

MICRO SWITCH

A DIVISION OF MINNEAPOLIS-HONEYWELL REGULATOR COMPANY
 FREEPORT, MINNESOTA

FED. MFR. CODE 91929

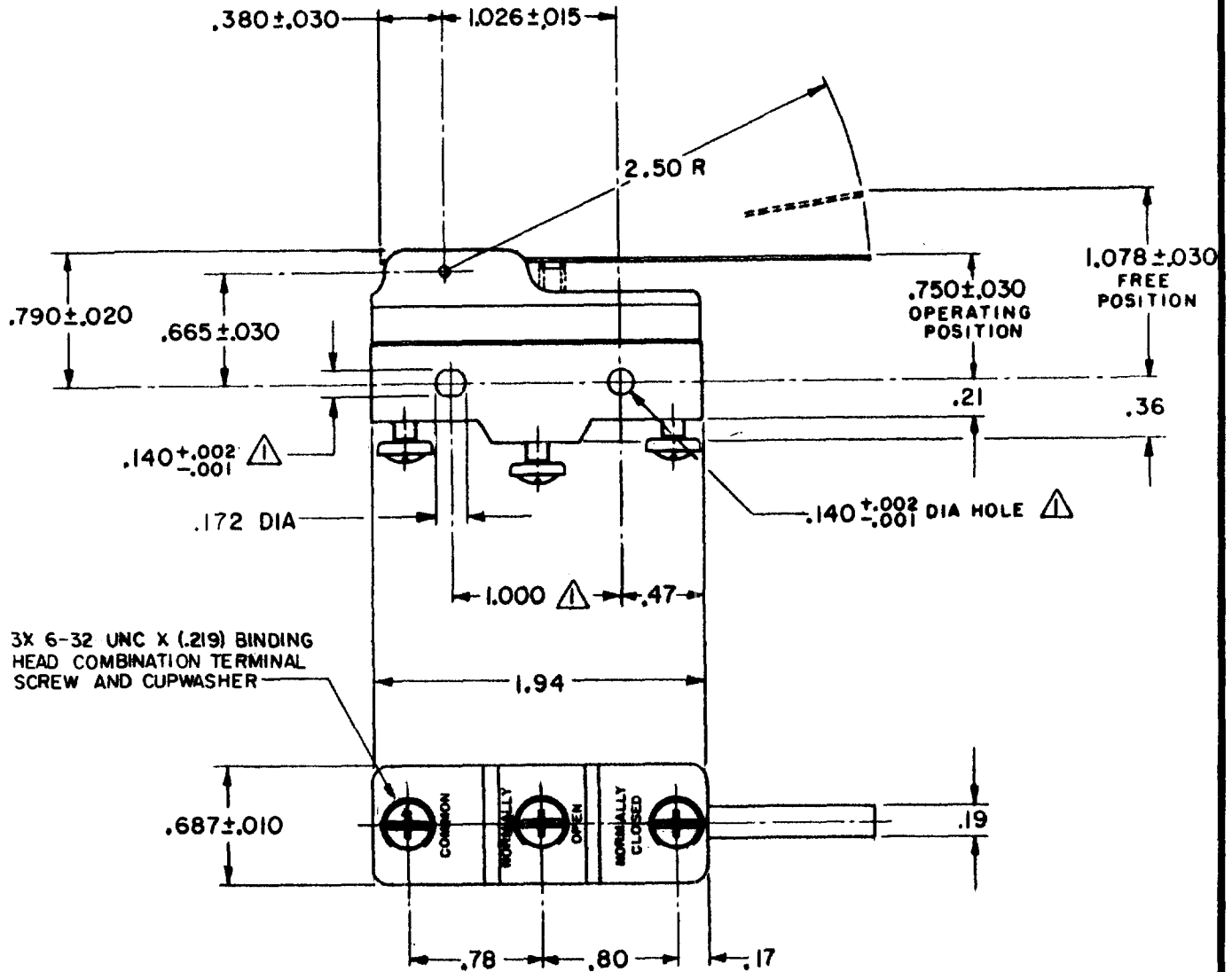
SWITCH - BASIC

CATALOG LISTING

BZ-2RW80-A2

ANZ5000

M BZ-2RW80-A2
 PAGE 1 OF 1
 DRAWING NUMBER
 ISSUE 8
 REVISIONS
 A CO 16736 GCH 12 MAR 62
 B CO 31001 DAW 16 AUG 72
 C CO-73287-B DHD 19 MAY 93
 D CO-77589 MAM 29 MAR 94
 E C093346 DLT 2 SEP 98
 F 0015139 TSG 23 AUG 05
 FORMTEK FO-50276
 DRAWN GCH 12 MAR 62
 CHECK DRAW 29 MAR 62
 CHECK RJ 23 AUG 05
 CHECK
 RELEASE NO.
 REPLACES



THIS DRAWING COVERS A PROPRIETARY ITEM AND IS THE PROPERTY OF MICRO SWITCH, A DIVISION OF MINNEAPOLIS-HONEYWELL REGULATOR CO. THIS DRAWING IS NOT TO BE COPIED OR USED WITHOUT THE APPROVAL OF MICRO SWITCH.

CHARACTERISTICS	ELECTRICAL DATA	SCALE FULL
OPERATING FORCE ----- 2 1/2 OZ MAX	CONTACT ARRANGEMENT S P D T	DO NOT SCALE PRINT
RELEASE FORCE ----- 1/2 OZ MIN	15A - 125, 250 OR 480 VAC, 2A - 600 VAC -L74- 1/8HP - 125 VAC; 1/4HP - 250 VAC 1/2A - 125 VDC; 1/4A - 250 VDC	UNLESS OTHERWISE SPECIFIED DIMENSIONS ARE IN INCHES TOLERANCES ARE:
DIFFERENTIAL TRAVEL ----- .007 - .050	-L288- -L306- -L315-	ONE PLACE (.0) $\pm .030$ TWO PLACE (.00) $\pm .015$ THREE PLACE (.000) $\pm .005$ ANGLES \pm
OVERTRAVEL ----- .219 MIN	CE EN 05 EC 16A 250V ~ T85 5E4	WEIGHT .073 LB