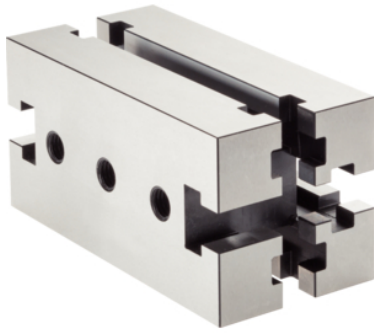


Mounting Blocks

1010.200

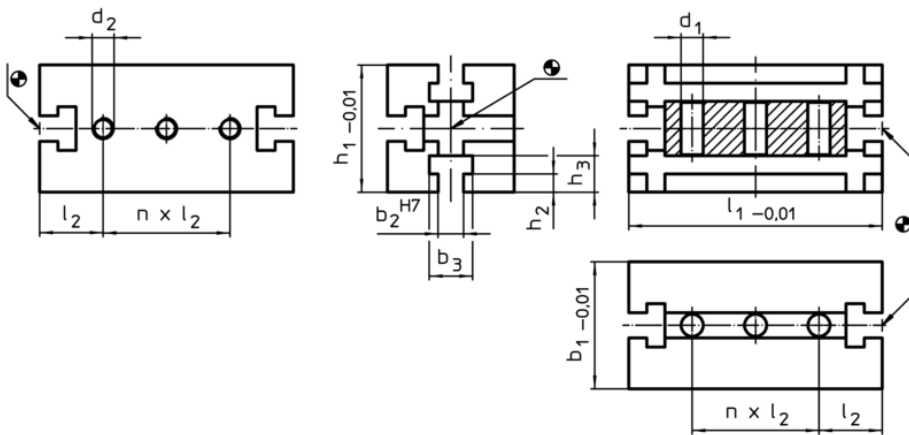


Product Description

Material

- Steel, case-hardened, ground

Drawing



Order information

System	Dimensions										Amount n	[g]	Art. No.
	b_1	l_1	b_2	b_3	l_2	h_1	h_2	h_3	d_1	d_2			
V40	40	80	10	17	20	40	6,5	12,5	8,25	8,25	2	585	1010.200