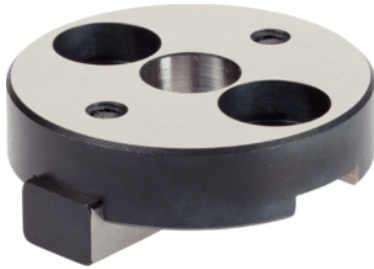


Intermediate Plates

1047.700

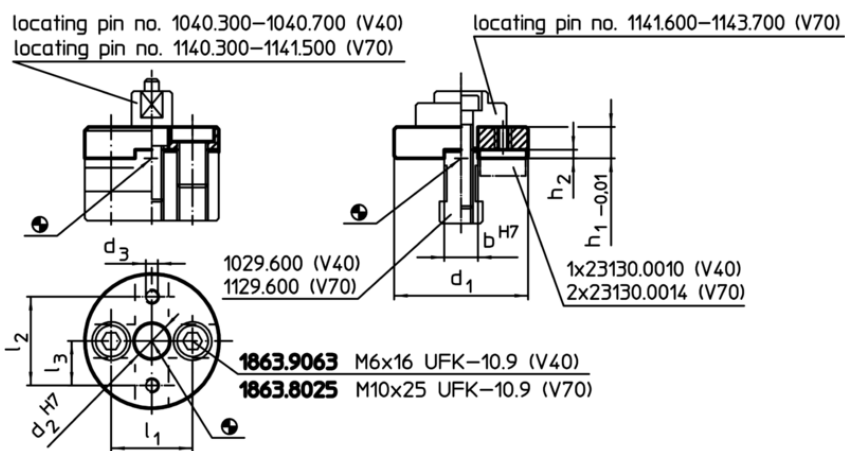
Product Description



Material

- Steel, case-hardened, ground

Drawing



Order information

| System | Dimensions | | | | | | | | | [g] | Art. No. |
|--------|----------------|----------------|----------------|----------------|----------------|----|----------------|----------------|------|-----|----------|
| | d ₁ | d ₂ | d ₃ | h ₁ | h ₂ | b | l ₁ | l ₃ | [mm] | | |
| V40 | 40 | 10 | M4 | 15 | 2,6 | 10 | 26 | 16 | | 135 | 1047.700 |

Application example

