

Support Clamping Bars

1047.800

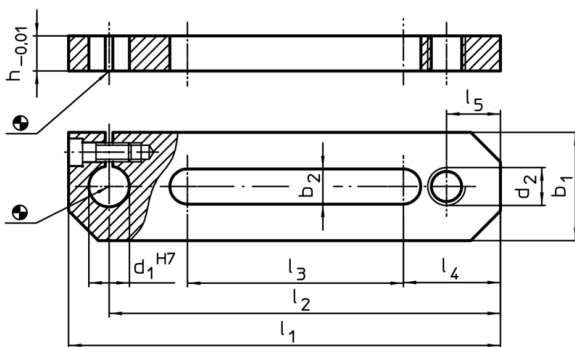
Product Description



Material

- Steel, case-hardened, ground

Drawing



Order information

System	b ₁	b ₂	d ₁	d ₂	Dimensions						[g]	Art. No.
					h	l ₁	l ₂	l ₃	l ₄	l ₅		
V40	25	8,5	10	M8	15	100	88	45	23	12	215	1047.800