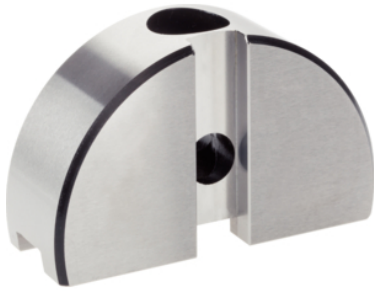


Locating Segments

1048.400

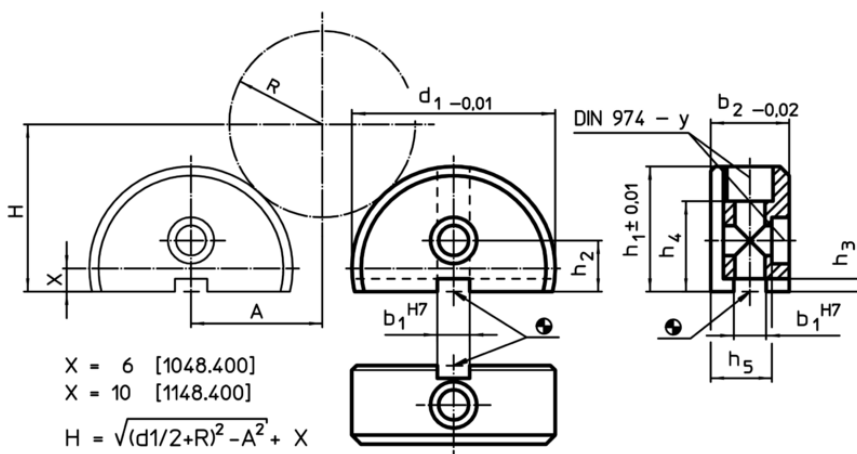
Product Description




Material

- Steel, case-hardened, ground

Drawing



Order information

System	Dimensions									For screws	y		Art. No.
	b ₁	b ₂	d ₁	h ₁	h ₂	h ₃	h ₄	h ₅	[mm]				
V40	10	20	50	31	13	2,6	21	17	M6	6	160	1048.400	

Application example

