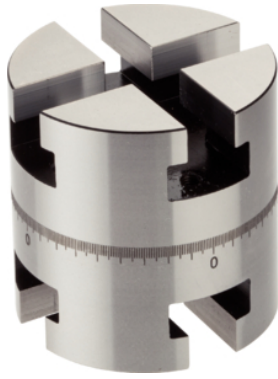


Adjustable Rotating Elements

1048.600

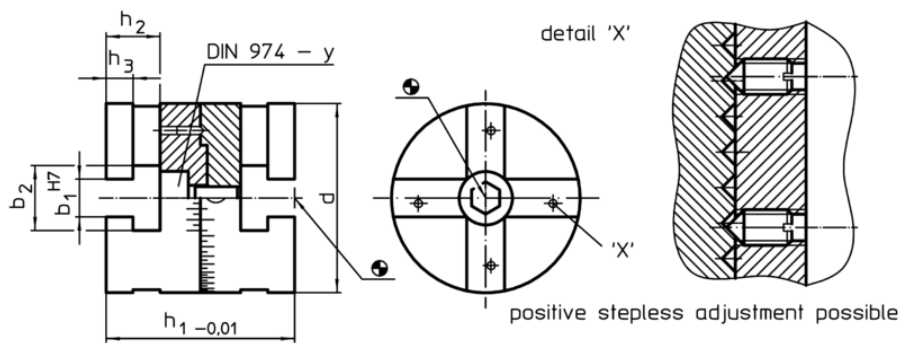


Product Description

Material

- Steel, case-hardened, ground

Drawing



Order information

System	Dimensions							[g]	Art. No.
	d	b ₁	b ₂	h ₁ [mm]	h ₂	h ₃	y		
V40	40	10	17	40	12,5	6,5	6	270	1048.600