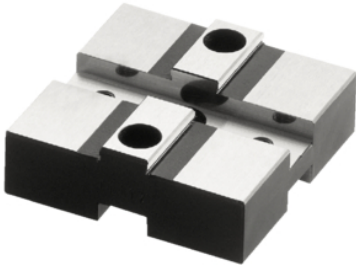


Intermediate Plates

1111.700

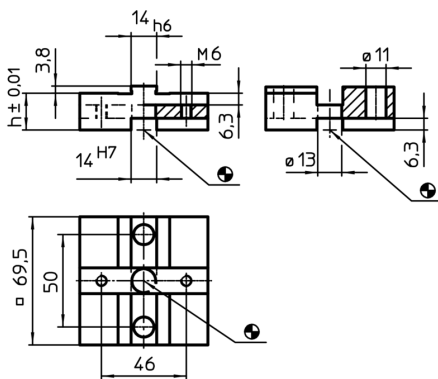
Product Description




Material

- Steel, case-hardened, ground

Drawing



Order information

System	Dimensions h [mm]	 [g]	Art. No.
V70	20	607	1111.700

Application example

