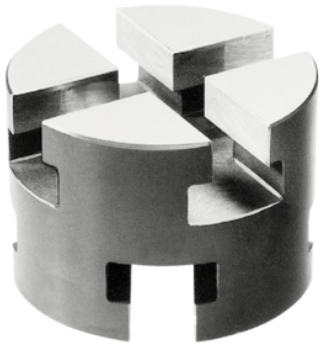


## Intermediate Elements

1112.700

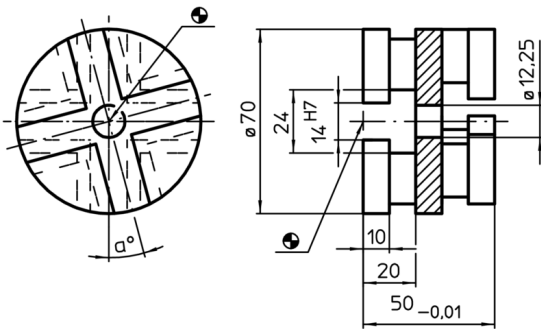


### Product Description


#### Material

- Steel, case-hardened, ground

### Drawing



### Order information

System	$\alpha$	 [g]	Art. No.
V70	30°	800	1112.700