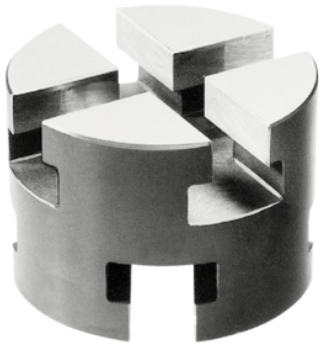


Intermediate Elements

1112.800

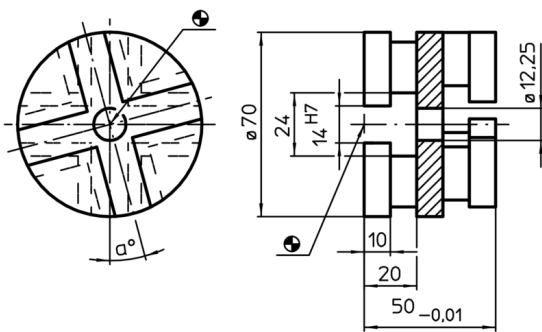


Product Description


Material

- Steel, case-hardened, ground

Drawing



Order information

System	α	 [g]	Art. No.
V70	45°	800	1112.800