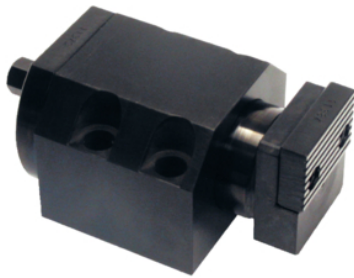


Clamping Vices • moveable jaw 1137.300



Product Description

Max. torque 140 Nm, Clamping power F = 30 kN

Material

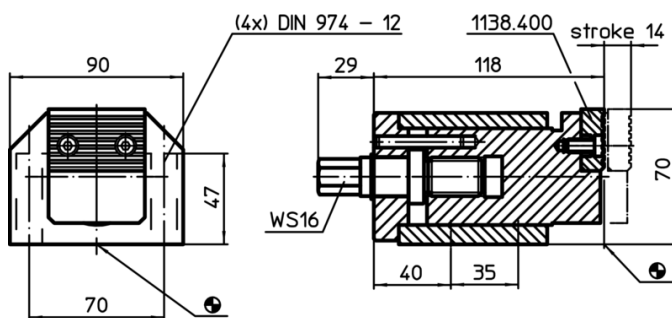
- Steel, case-hardened, ground

More information

Further products

- Clamping Vices
- Clamping Vices, fixed jaw
- Clamping Vices, replacement jaw, soft
- Clamping Vices, replacement jaw, ribbed/flat

Drawing



Order information

| System |  [g] | Art. No. |
|--------|--|----------|
| V70 | 4600 | 1137.300 |