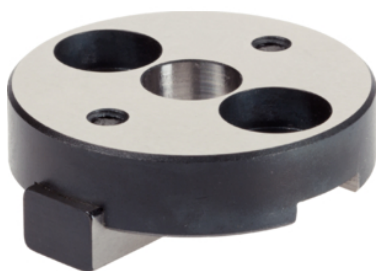


## Intermediate Plates

1147.700

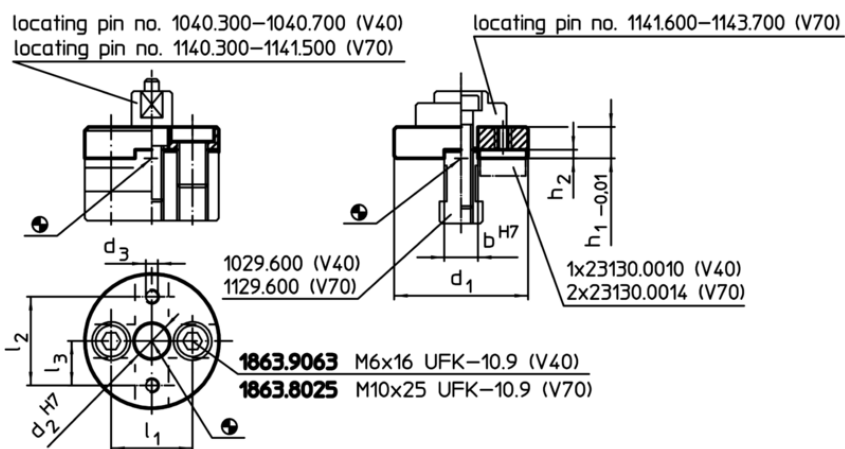
### Product Description



#### Material

- Steel, case-hardened, ground

### Drawing



### Order information

System	Dimensions								[g]	Art. No.
	d <sub>1</sub>	d <sub>2</sub>	d <sub>3</sub>	h <sub>1</sub>	h <sub>2</sub>	b	l <sub>1</sub>	l <sub>2</sub>		
V70	56	15	M6	13	3,5	14	34	37	160	1147.700

### Application example

