

Support Clamping Bars

1147.800

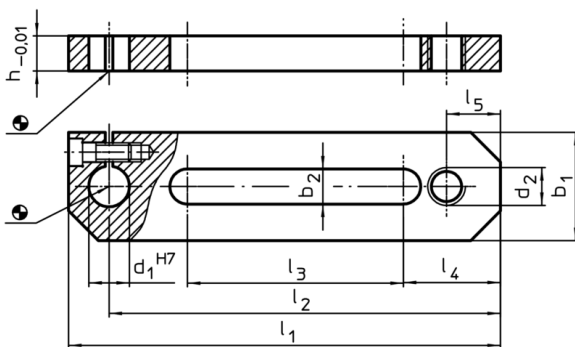
Product Description



Material

- Steel, case-hardened, ground

Drawing



Order information

System	Dimensions										Art. No.	
	b ₁	b ₂	d ₁	d ₂	h	l ₁	l ₂	l ₃	l ₄	l ₅		
V70	40	13	15	M12	13	160	145	80	36	20	470	1147.800