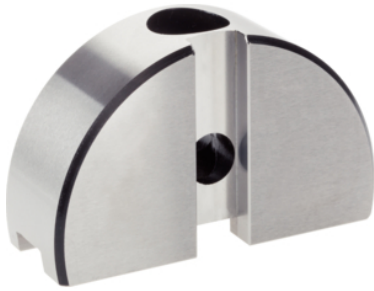


Locating Segments

1148.400

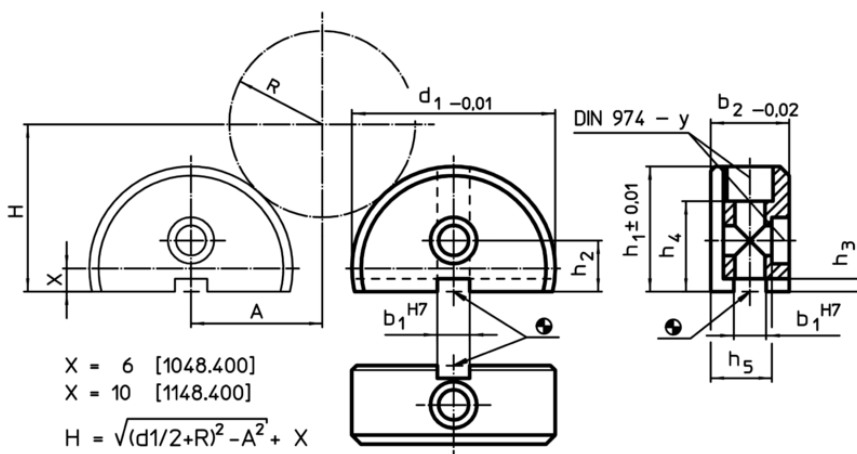
Product Description




Material

- Steel, case-hardened, ground

Drawing



Order information

System	Dimensions									For screws	y		Art. No.
	b ₁	b ₂	d ₁	h ₁	h ₂	h ₃	h ₄	h ₅	[mm]				
V70	14	34	88	54	22	6	39	26,5	M12	12	830	1148.400	

Application example

